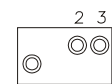
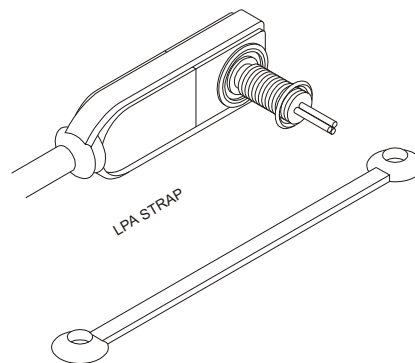
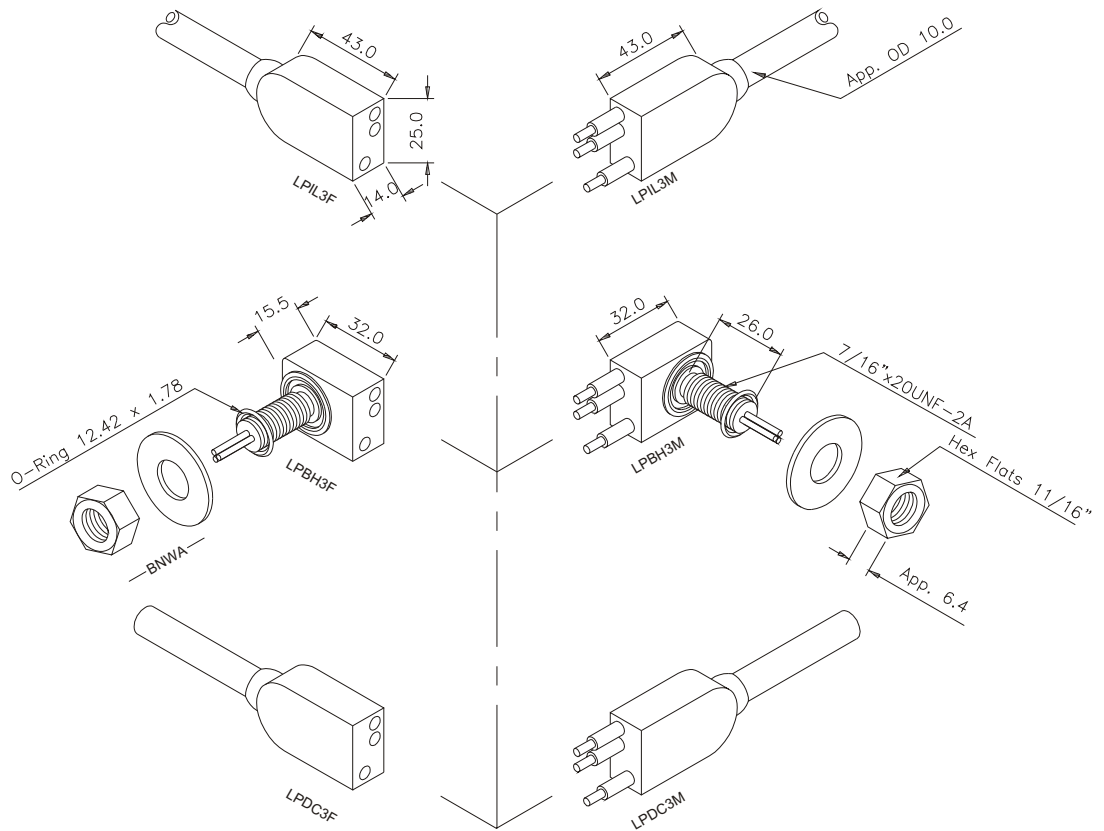
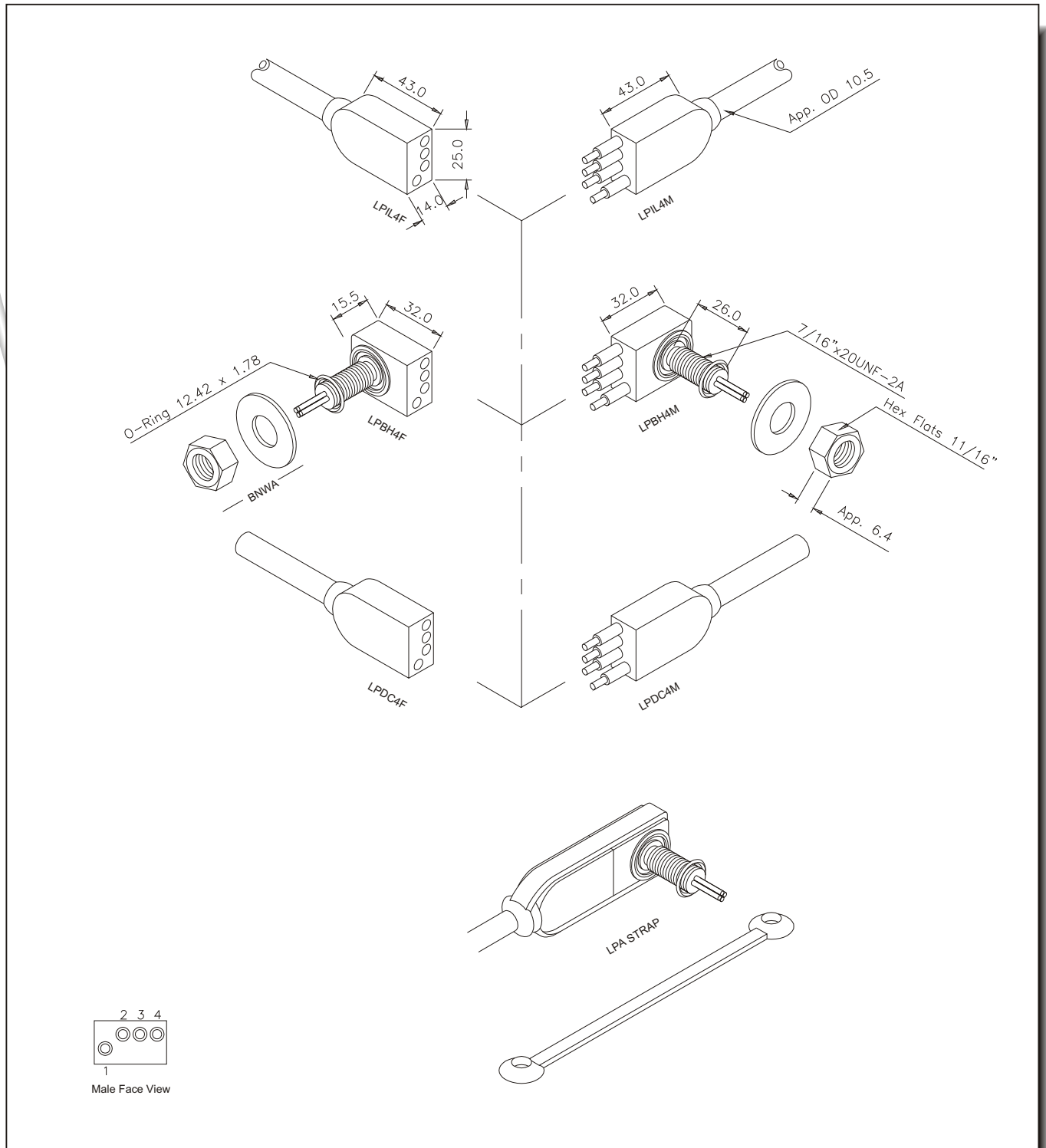


Inline Cable Colour Code	Connector Specifications	Material Specifications	Dimensions in mm. Threads in inches. 1 inch = 25.4 mm. 1 mm = 0.3937 inch.
1 Black 2 White  (Bulkhead Leads Number Tagged)	Single Contact Rating : 600 V @ 15 Amp Connector Rating 2 pins : 600 V @ 10 Amp Insulation Resistance : >200 megaohm Contact Resistance : <0,01 ohm Wet Matings : >500 Temp. Rating : -4° to +60° C - 25° to 140° F Depth Rating : 700 bar - 10.000 psi	Connector Body : Neoprene (CR) Bulkhead Body : Brass UNS-C36000 Contacts : Brass UNS-C36000 Nuts & Washers : Brass UNS-C36000 Strap : Neoprene (CR) Location pin : AISI 303 O' Rings : Nitrile Inline Cable (60 cm) : 16 AWG 1,34 mm <sup>2</sup> Rubber BH Leads (30 cm) : 18 AWG 1,0 mm <sup>2</sup> Teflon Options : See index pages	Modification rights reserved  Drawing No. SE 300-22

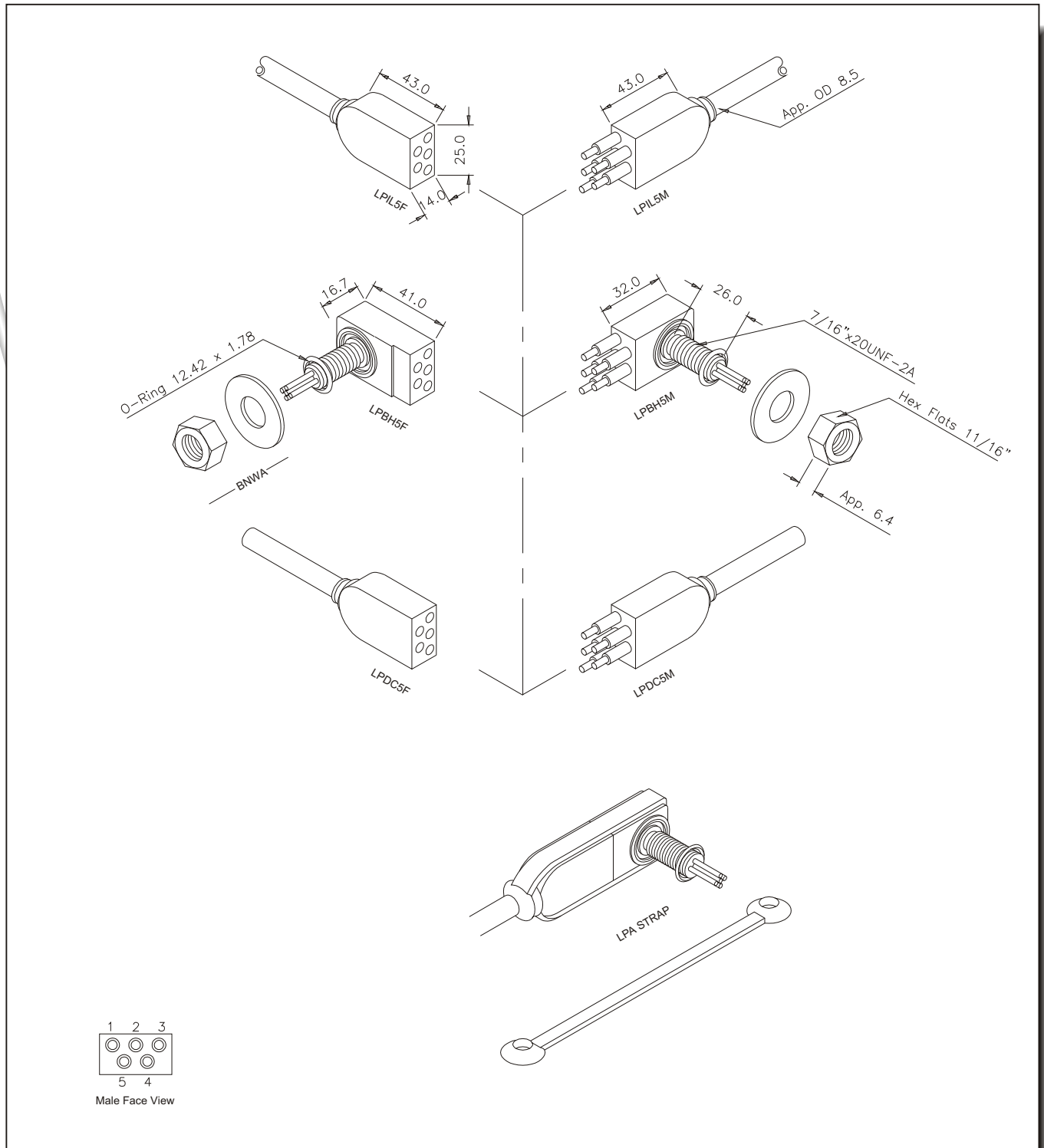


1  
Male Face View

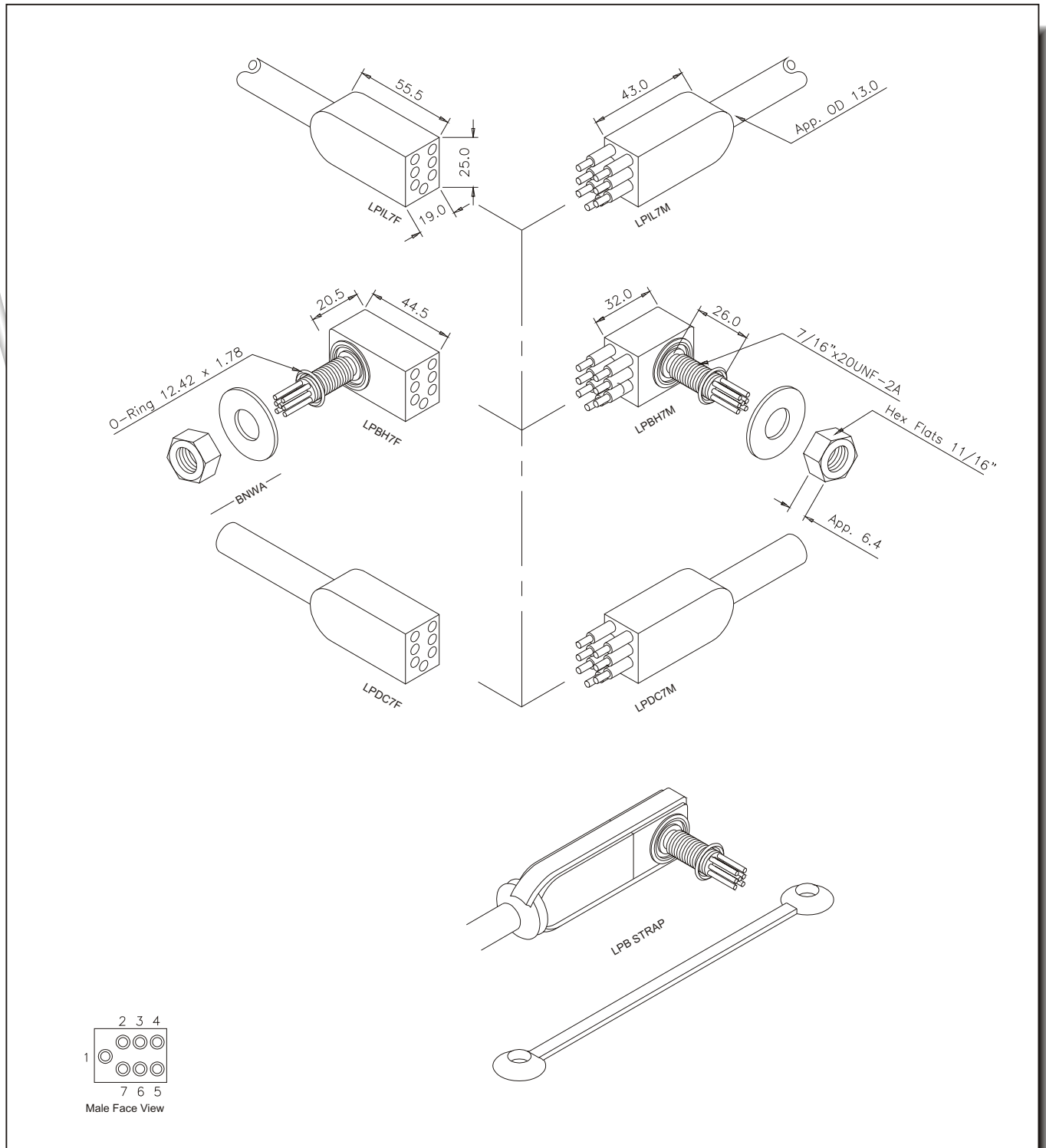
Inline Cable Colour Code	Connector Specifications	Material Specifications	Dimensions in mm. Threads in inches. 1 inch = 25.4 mm. 1 mm = 0,3937 inch.  Modification rights reserved
1 Black 2 White 3 Green  (Bulkhead Leads Number Tagged)	Single Contact Rating : 600 V @ 15 Amp Contact Rating 2-3 pins : 600 V @ 10 Amp Insulation Resistance : >200 megaohm Contact Resistance : <0,01 ohm Wet Matings : >500 Temp. Rating : -4° to +60° C. - 25° to 140° F Depth Rating : 700 bar - 10.000 psi	Connector Body : Neoprene (CR) Bulkhead Body : Brass UNS-C36000 Contacts : Brass UNS-C36000 Nuts & Washers : Brass UNS-C36000 Strap : Neoprene (CR) 'O' Rings : Nitrile Inline Cable (60 cm) : 16 AWG 1,34 mm <sup>2</sup> Rubber BH Leads (30 cm) : 18 AWG 1,0 mm <sup>2</sup> Teflon Options : See index pages	Drawing No. SE 300-21



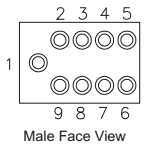
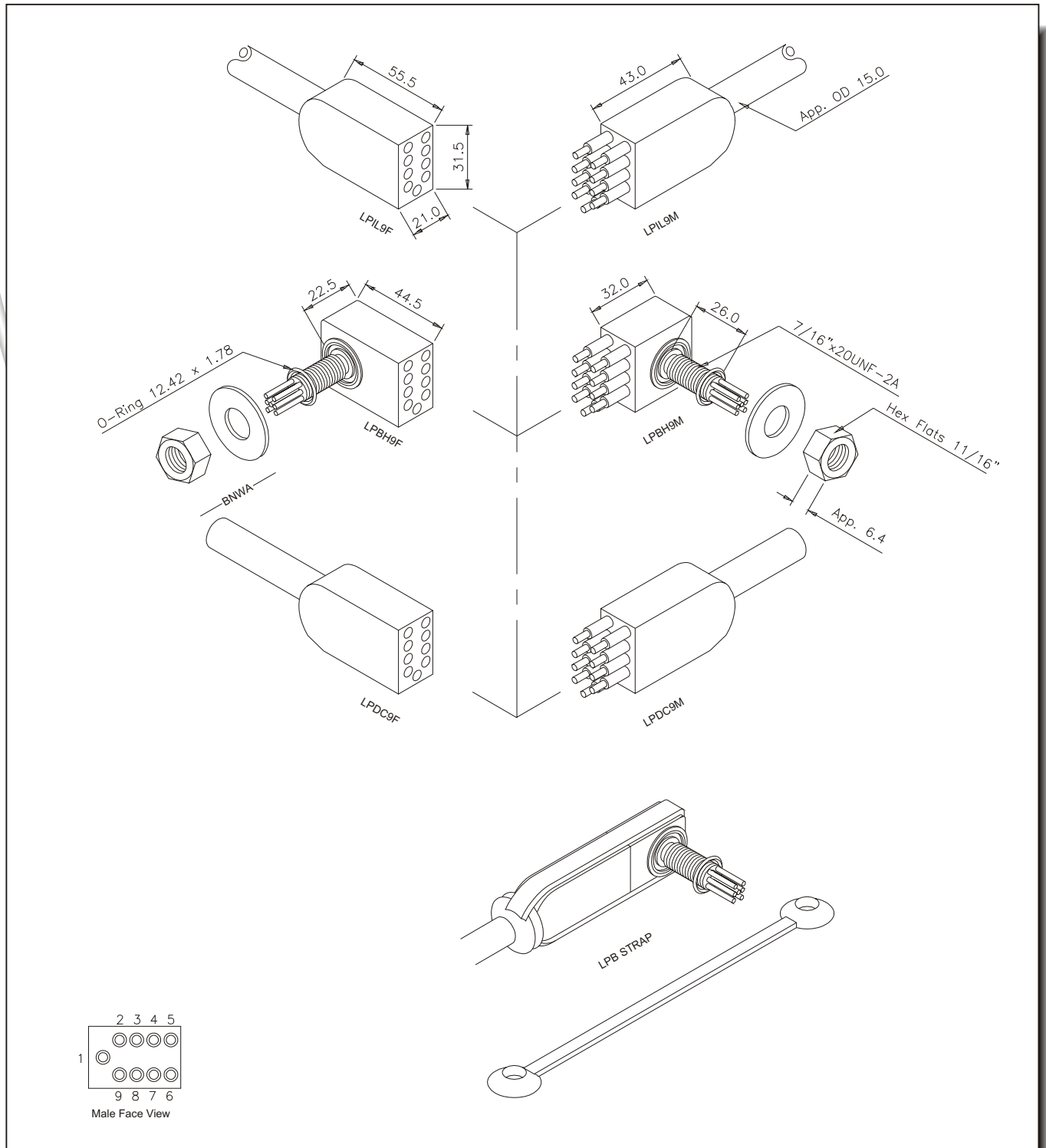
<p><b>Inline Cable Colour Code</b></p> <p>1 Black 2 White 3 Red 4 Green</p> <p>(Bulkhead Leads Number Tagged)</p>	<p><b>Connector Specifications</b></p> <p>Single Contact Rating : 600 V @ 15 Amp                  Connector Rating 2-4 pins : 600 V @ 10 Amp                  Insulation Resistance : &gt;200 megaohm                  Contact Resistance : &lt;0,01 ohm                  Wet Matings : &gt;500                  Temp. Rating : -4° to +60° C. - 25° to 140° F                  Depth Rating : 700 bar - 10.000 psi</p>	<p><b>Material Specifications</b></p> <p>Connector Body : Neoprene (CR)                  Bulkhead Body : Brass UNS-C36000                  Contacts : Brass UNS-C36000                  Nuts &amp; Washers : Brass UNS-C36000                  Strap : Neoprene (CR)                  'O' Rings : Nitrile                  Inline Cable (60 cm) : 16 AWG 1,34 mm<sup>2</sup> Rubber                  BH Leads (30 cm) : 18 AWG 1,0 mm<sup>2</sup> Teflon                  Options : See index pages</p>	<p>Dimensions in mm.                  Threads in inches.                  1 inch = 25.4 mm.                  1 mm = 0,3937 inch.</p> <p>Modification rights reserved</p> <p>Drawing No. SE 300-20</p>
---	---	---	---



<p><b>Inline Cable Colour Code</b></p> <p>1 Black 2 Red 3 Blue 4 Orange 5 Yellow</p> <p>(Bulkhead Leads Number Tagged)</p>	<p><b>Connector Specifications</b></p> <p>Single Contact Rating : 600 V @ 15 Amp                  Connector Rating 2-4 pins : 600 V @ 10 Amp                  Connector Rating 5 pins : 600 V @ 6 Amp                  Insulation Resistance : &gt;200 megaohm                  Contact Resistance : &lt;0,01 ohm                  Wet Matings : &gt;500                  Temp. Rating : -4° to +60° C. - 25° to 140° F                  Depth Rating : 700 bar - 10.000 psi</p>	<p><b>Material Specifications</b></p> <p>Connector Body : Neoprene (CR)                  Bulkhead Body : Brass UNS-C36000                  Contacts : Brass UNS-C36000                  Nuts &amp; Washers : Brass UNS-C36000                  Strap : Neoprene (CR)                  'O' Rings : Nitrile                  Inline Cable (60 cm) : 18 AWG 1,0 mm<sup>2</sup> Rubber                  BH Leads (30 cm) : 18 AWG 1,0 mm<sup>2</sup> Teflon                  Options : See index pages</p>	<p>Dimensions in mm.                  Threads in inches.                  1 inch = 25.4 mm.                  1 mm = 0,3937 inch.</p> <p>Modification rights reserved</p> <p>Drawing No. SE 300-19</p>
--	--	--	---



Inline Cable Colour Code	Connector Specifications	Material Specifications	Dimensions in mm. Threads in inches.
1 Black 2 White 3 Red 4 Green 5 Orange 6 Blue 7 White/Black (Bulkhead Leads Number Tagged)	Single Contact Rating : 600 V @ 15 Amp Connector Rating 2-4 pins : 600 V @ 10 Amp Connector Rating 5-7 pins : 600 V @ 6 Amp Insulation Resistance : >200 megaohm Contact Resistance : <0,01 ohm Wet Matings : >500 Temp. Rating : -4° to +60° C. - 25° to 140° F Depth Rating : 700 bar - 10.000 psi	Connector Body : Neoprene (CR) Bulkhead Body : Brass UNS-C36000 Contacts : Brass UNS-C36000 Nuts & Washers : Brass UNS-C36000 Strap : Neoprene (CR) O' Rings : Nitrile Inline Cable (60 cm) : 16 AWG 1,34 mm <sup>2</sup> Rubber BH Leads (30 cm) : 18 AWG 1,0 mm <sup>2</sup> Teflon Options : See index pages	1 inch = 25.4 mm. 1 mm = 0,3937 inch. Modification rights reserved
			Drawing No. SE 300-18



Inline Cable Colour Code	Connector Specifications	Material Specifications	Dimensions in mm. Threads in inches. 1 inch = 25.4 mm. 1 mm = 0,3937 inch.
1 Black 2 White 3 Red 4 Green 5 Orange 6 Blue 7 White/Black 8 Red/Black 9 Green/Black (Bulkhead Leads Number Tagged)	Single Contact Rating : 600 V @ 15 Amp Connector Rating 2-4 pins : 600 V @ 10 Amp Connector Rating 5-9 pins : 600 V @ 6 Amp Insulation Resistance : >200 megaohm Contact Resistance : <0,01 ohm Wet Matings : >500 Temp. Rating : -4° to +60° C. - 25° to 140° F Depth Rating : 700 bar - 10.000 psi	Connector Body : Neoprene (CR) Bulkhead Body : Brass UNS-C36000 Contacts : Brass UNS-C36000 Nuts & Washers : Brass UNS-C36000 Strap : Neoprene (CR) 'O' Rings : Nitrile Inline Cable (60 cm) : 16 AWG 1,34 mm <sup>2</sup> Rubber BH Leads (30 cm) : 18 AWG 1,0 mm <sup>2</sup> Teflon Options : See index pages	Modification rights reserved  Drawing No. SE 300-17