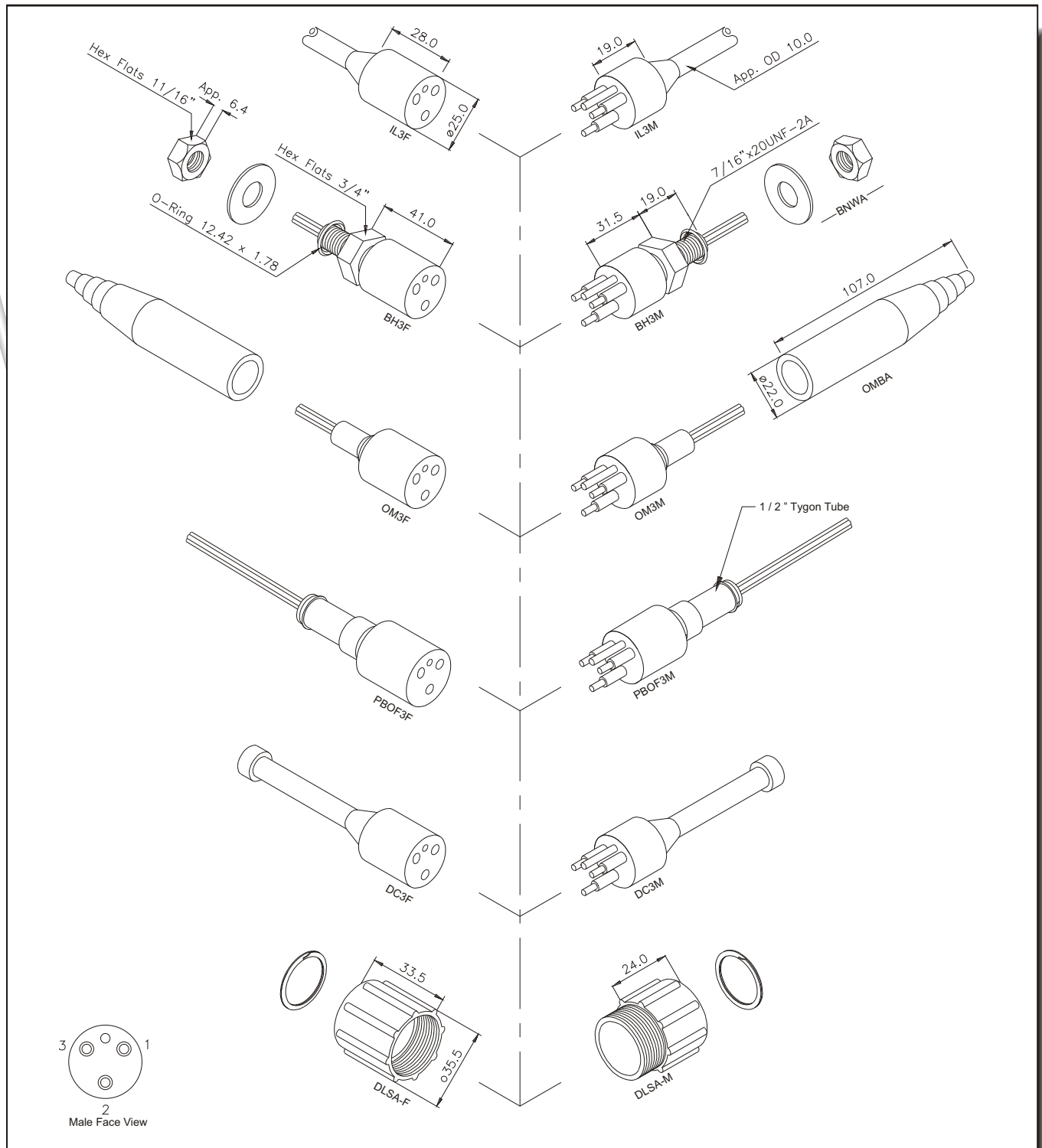
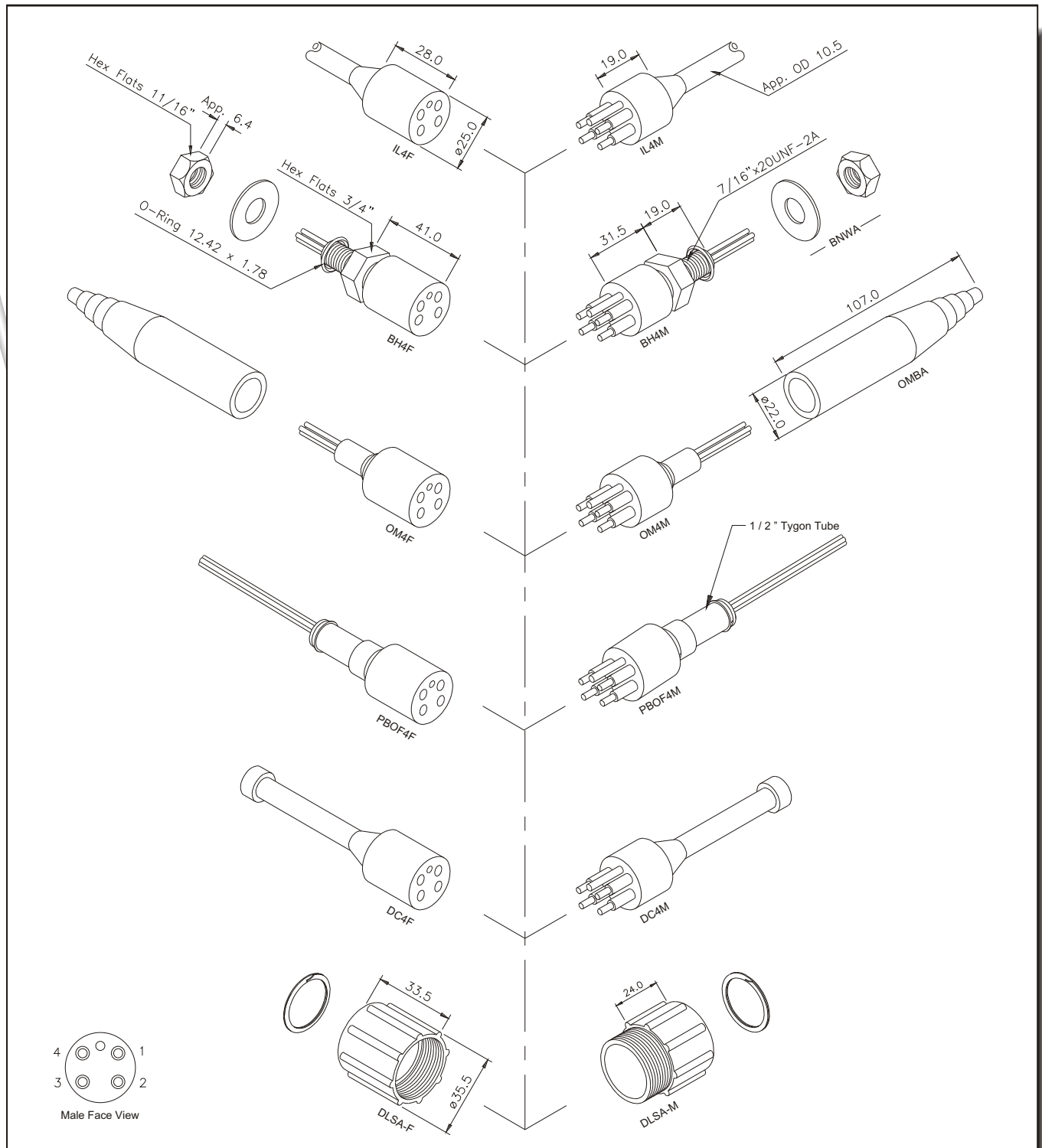


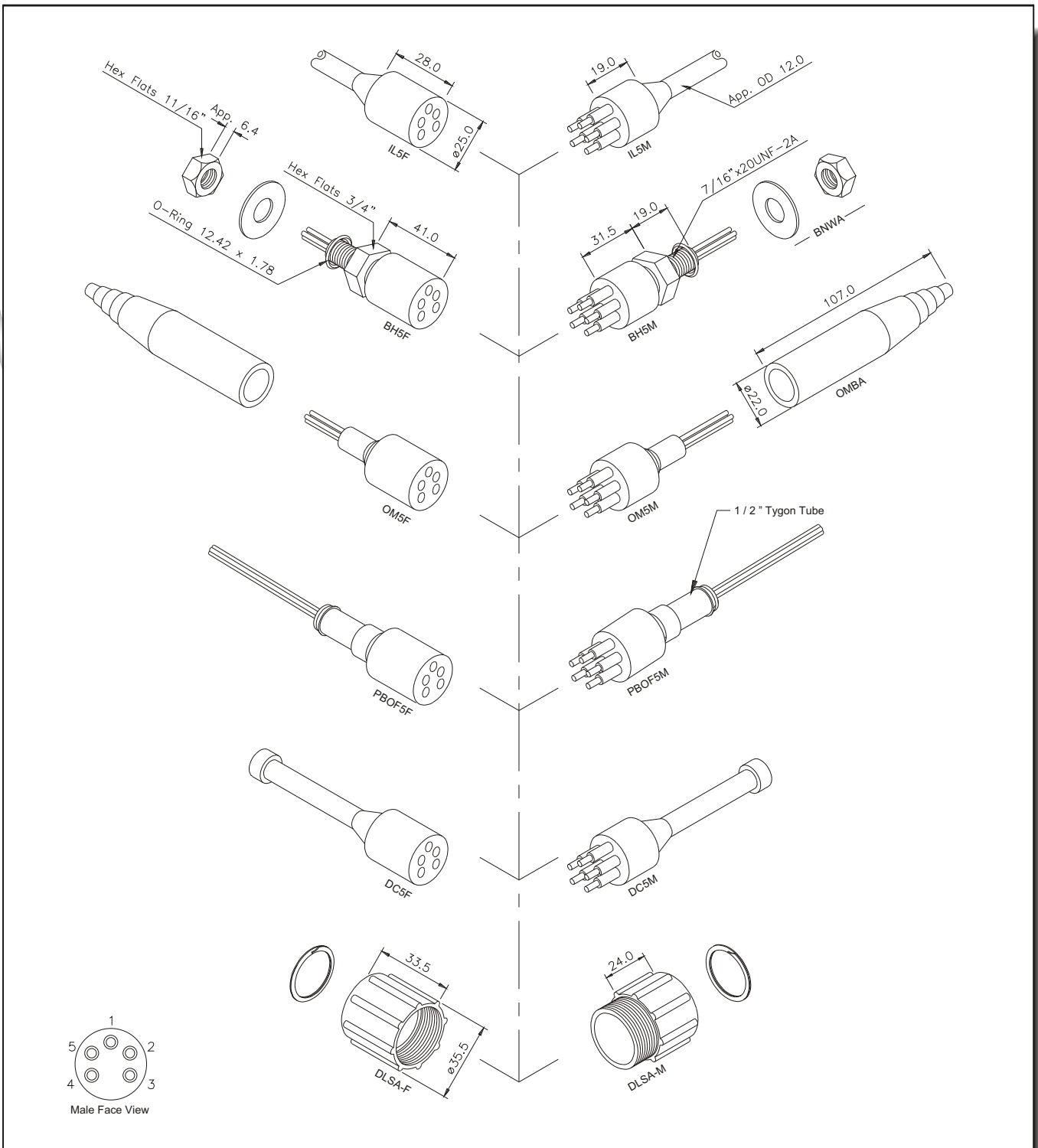
Inline Cable Colour Code	Connector Specifications	Material Specifications	Dimensions in mm. Threads in inches. 1 inch = 25.4 mm. 1 mm = 0.3937 inch.
1 Black 2 White (Bulkhead Leads Number Tagged)	Single Contact Rating : 600 V @ 15 Amp Connector Rating 2 pins : 600 V @ 10 Amp Insulation Resistance : >200 megaohm Contact Resistance : <0,01 ohm Wet Matings : >500 Temp. Rating : -4° to +60° C - : 25° to 140° F Depth Rating : 1.400 bar - 20.000 psi	Connector Body : Neoprene (CR) Bulkhead Body : Brass UNS-C36000 Contacts : Brass UNS-C36000 Nuts & Washers : Brass UNS-C36000 Location pin : AISI 303 'O' Rings : Nitrile Locking Sleeve : Delrin Snap Ring : AISI 302 Inline Cable (60 cm) : 16 AWG 1,34 mm ² Rubber BH Leads (30 cm) : 18 AWG 1,0 mm ² Teflon Options : See index pages	Modification rights reserved Drawing No. SE 300-4



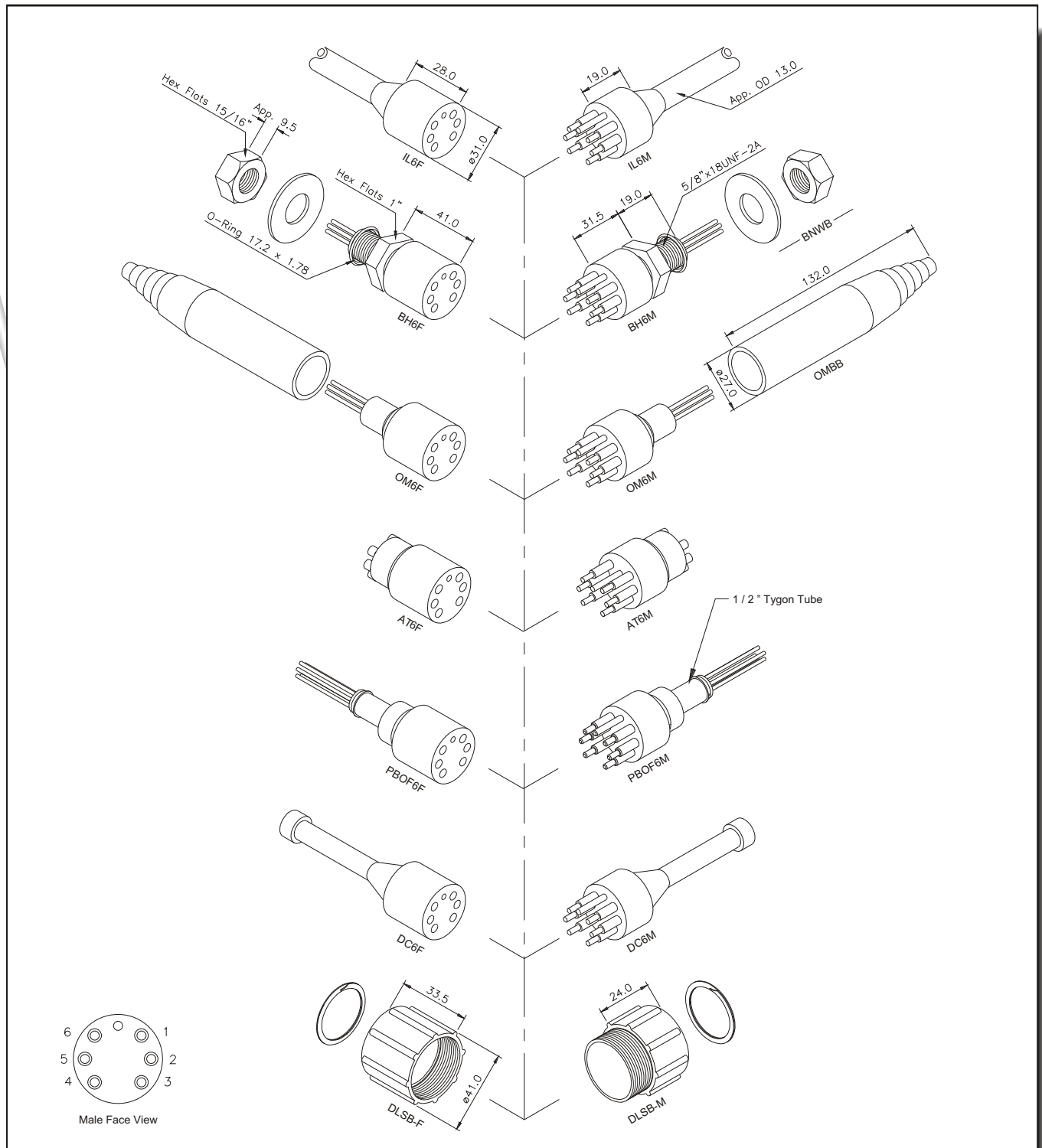
<p>Inline Cable Colour Code</p> <p>1 Black 2 White 3 Green</p> <p>(Bulkhead Leads Number Tagged)</p>	<p>Connector Specifications</p> <p>Single Contact Rating : 600 V @ 15 Amp Connector Rating 2-3 pins : 600 V @ 10 Amp Insulation Resistance : >200 megaohm Contact Resistance : <0,01 ohm Wet Matings : >500 Temp. Rating : -4° to +60° C - 25° to 140° F Depth Rating : 1.400 bar - 20.000 psi</p>	<p>Material Specifications</p> <p>Connector Body : Neoprene (CR) Bulkhead Body : Brass UNS-C36000 Contacts : Brass UNS-C36000 Nuts & Washers : Brass UNS-C36000 Location pin : AISI 303 'O' Rings : Nitrile Locking Sleeve : Delrin Snap Ring : AISI 302 Inline Cable (60 cm) : 16 AWG 1,34 mm² Rubber BH Leads (30 cm) : 18 AWG 1,0 mm² Teflon Options : See index pages</p>	<p>Dimensions in mm. Threads in inches. 1 inch = 25.4 mm. 1 mm = 0,3937 inch.</p> <p>Modification rights reserved</p> <p>Drawing No. SE 300-2</p>
---	--	--	--



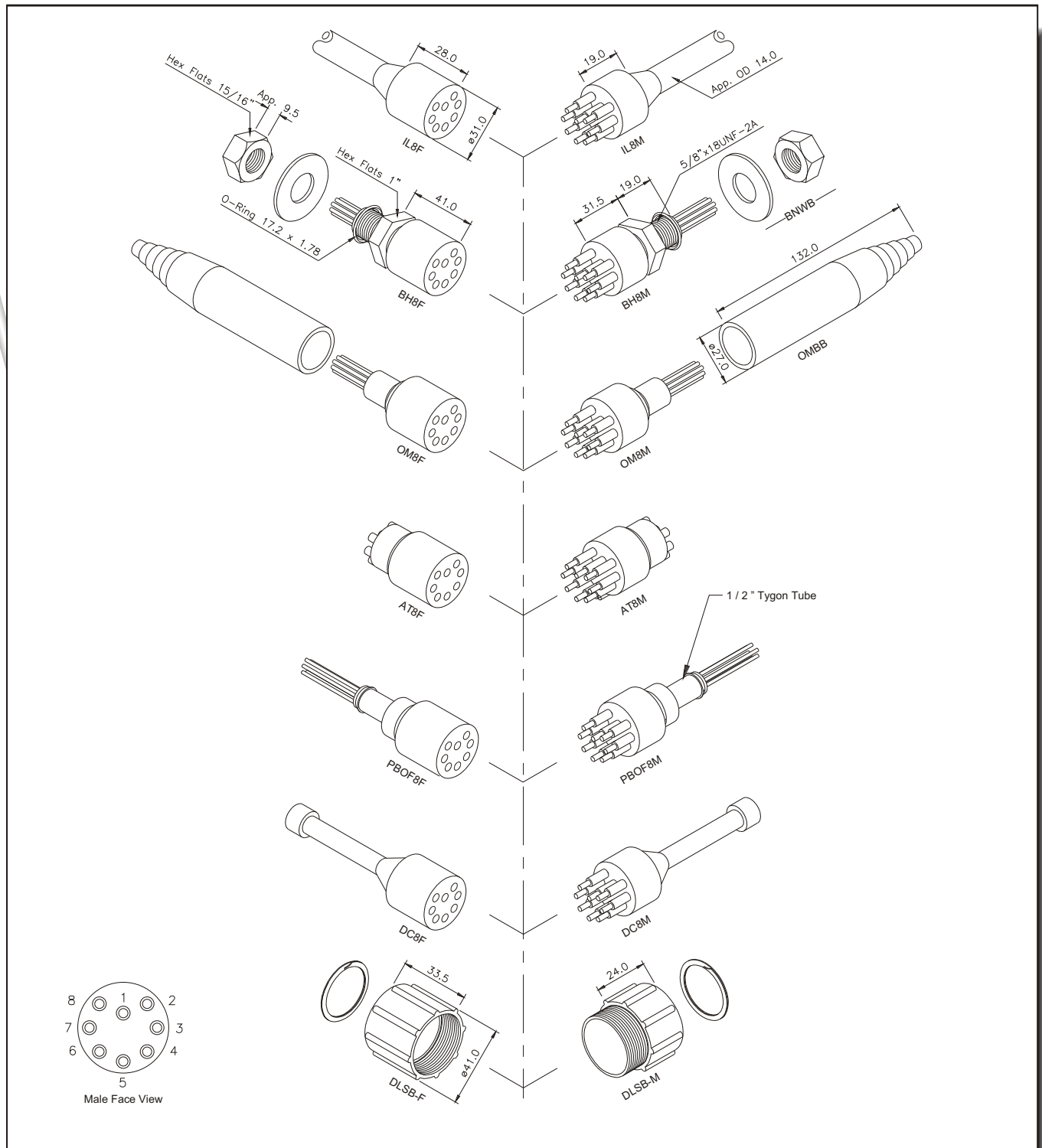
Inline Cable Colour Code	Connector Specifications	Material Specifications	Dimensions in mm. Threads in inches. 1 inch = 25.4 mm. 1 mm = 0.3937 inch.
1 Black 2 White 3 Red 4 Green	Single Contact Rating : 600 V @ 15 Amp Connector Rating 2-4 pins : 600 V @ 10 Amp Insulation Resistance : >200 megaohm Contact Resistance : <0.01 ohm Wet Matings : >500 Temp. Rating : -4° to +60° C - 25° to 140° F Depth Rating : 1.400 bar - 20.000 psi	Connector Body : Neoprene (CR) Bulkhead Body : Brass UNS-C36000 Contacts : Brass UNS-C36000 Nuts & Washers : Brass UNS-C36000 Location pin : AISI 303 'O' Rings : Nitrile Locking Sleeve : Delrin Snap Ring : AISI 302 Inline Cable (60 cm) : 16 AWG 1,34 mm ² Rubber BH Leads (30 cm) : 18 AWG 1,0 mm ² Teflon Options : See index pages	Modification rights reserved
(Bulkhead Leads Number Tagged)			Drawing No. SE 300-1



Inline Cable Colour Code	Connector Specifications	Material Specifications	Dimensions in mm. Threads in inches. 1 inch = 25.4 mm. 1 mm = 0.3937 inch.
1 Black 2 White 3 Red 4 Green 5 Orange (Bulkhead Leads Number Tagged)	Single Contact Rating : 600 V @ 15 Amp Connector Rating 2-4 pins : 600 V @ 10 Amp Connector Rating 5 pins : 600 V @ 6 Amp Insulation Resistance : >200 megaohm Contact Resistance : <0,01 ohm Wet Matings : >500 Temp. Rating : -4° to +60° C - 25° to 140° F Depth Rating : 1.400 bar - 20.000 psi	Connector Body : Neoprene (CR) Bulkhead Body : Brass UNS-C36000 Contacts : Brass UNS-C36000 Nuts & Washers : Brass UNS-C36000 'O' Rings : Nitrile Locking Sleeve : Delrin Snap Ring : AISI 302 Inline Cable (60 cm) : 18 AWG 1,0 mm ² Rubber BH Leads (30 cm) : 18 AWG 1,0 mm ² Teflon Options : See index pages	Modification rights reserved Drawing No. SE 300-63



Inline Cable Colour Code	Connector Specifications	Material Specifications	Dimensions in mm. Threads in inches. 1 inch = 25.4 mm. 1 mm = 0,3937 inch.
1 Black 2 White 3 Red 4 Green 5 Orange 6 Blue	Single Contact Rating : 600 V @ 15 Amp Connector Rating 2-4 pins : 600 V @ 10 Amp Connector Rating 5-6 pins : 600 V @ 6 Amp Insulation Resistance : >200 megaohm Contact Resistance : <0,01 ohm Wet Matings : >500 Temp. Rating : -4° to +60° C - 25° to 140° F Depth Rating : 1.400 bar - 20.000 psi	Connector Body : Neoprene (CR) Bulkhead Body : Brass UNS-C36000 Contacts : Brass UNS-C36000 Nuts & Washers : Brass UNS-C36000 Location pin : AISI 303 'O' Rings : Nitrile Locking Sleeve : Delrin Snap Ring : AISI 302 Inline Cable (60 cm) : 16 AWG 1,34 mm ² Rubber BH Leads (30 cm) : 18 AWG 1,0 mm ² Teflon Options : See index pages	Modification rights reserved
(Bulkhead Leads Number Tagged)			Drawing No. SE 300-8

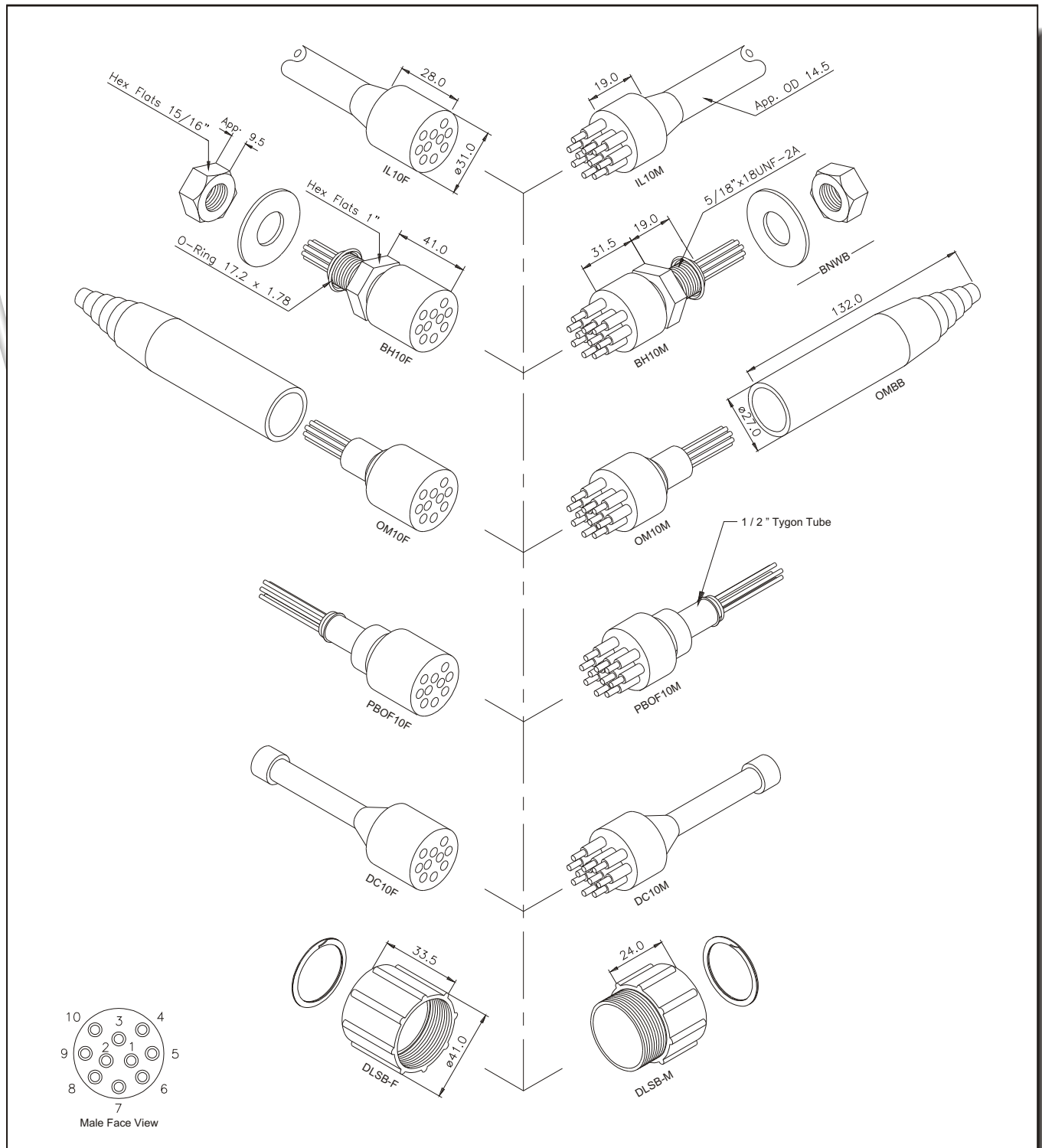


Inline Cable Colour Code
1 Black
2 White
3 Red
4 Green
5 Orange
6 Blue
7 White/Black
8 Red/Black
(Bulkhead Leads Number Tagged)

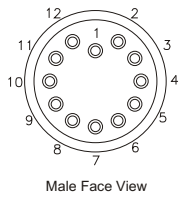
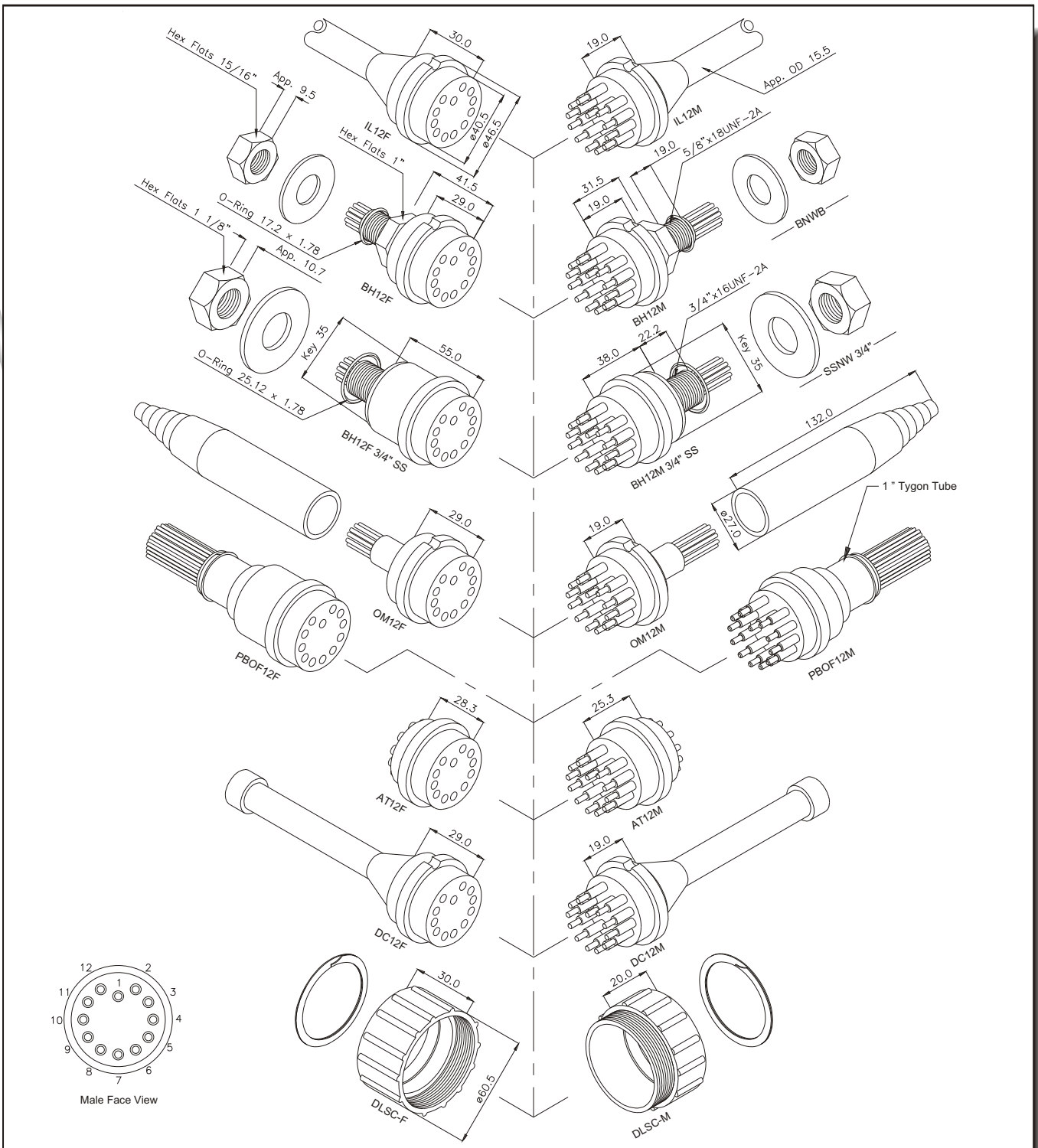
Connector Specifications
Single Contact Rating : 600 V @ 15 Amp
Connector Rating 2-4 pins : 600 V @ 10 Amp
Connector Rating 5-8 pins : 600 V @ 6 Amp
Insulation Resistance : >200 megaohm
Contact Resistance : <0,01 ohm
Wet Matings : >500
Temp. Rating : -4° to +60° C - 25° to 140° F
Depth Rating : 1.400 bar - 20.000 psi

Material Specifications
Connector Body : Neoprene (CR)
Bulkhead Body : Brass UNS-C36000
Contacts : Brass UNS-C36000
Nuts & Washers : Brass UNS-C36000
'O' Rings : Nitrile
Locking Sleeve : Delrin
Snap Ring : AISI 302
Inline Cable (60 cm) : 16 AWG 1,34 mm ² Rubber
BH Leads (30 cm) : 18 AWG 1,0 mm ² Teflon
Options : See index pages

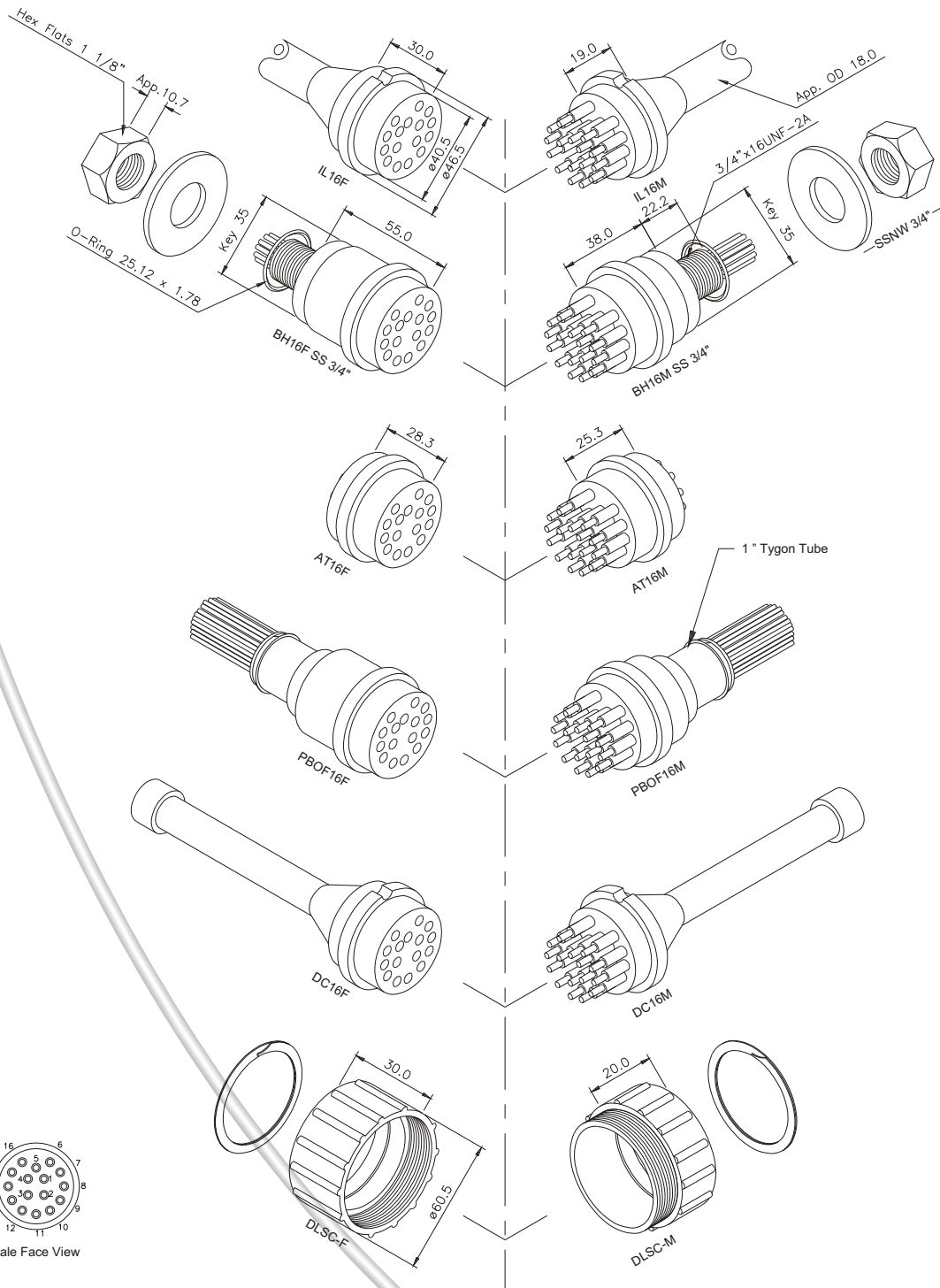
Dimensions in mm. Threads in inches. 1 inch = 25.4 mm. 1 mm = 0,3937 inch.
Modification rights reserved
Drawing No. SE 300-5



Inline Cable Colour Code	Connector Specifications	Material Specifications	Dimensions in mm. Threads in inches. 1 inch = 25.4 mm. 1 mm = 0.3937 inch.
1 Black 2 White 3 Red 4 Green 5 Orange 6 Blue 7 White/Black 8 Red/Black 9 Green/Black 10 Orange/Black (Bulkhead Leads Number Tagged)	Single Contact Rating : 600 V @ 15 Amp Connector Rating 2-4 pins : 600 V @ 10 Amp Connector Rating 5-10 pins : 600 V @ 6 Amp Insulation Resistance : >200 megaohm Contact Resistance : <0.01 ohm Wet Matings : >500 Temp. Rating : -4° to +60° C - 25° to 140° F Depth Rating : 1.400 bar - 20.000 psi	Connector Body : Neoprene (CR) Bulkhead Body : Brass UNS-C36000 Contacts : Brass UNS-C36000 Nuts & Washers : Brass UNS-C36000 'O' Rings : Nitrile Locking Sleeve : Delrin Snap Ring : AISI 302 Inline Cable (60 cm) : 18 AWG 1,0 mm ² Rubber BH Leads (30 cm) : 18 AWG 1,0 mm ² Teflon Options : See index pages	Modification rights reserved Drawing No. SE 300-3



Inline Cable Colour Code	Connector Specifications	Material Specifications	Dimensions in mm. Threads in inches. 1 inch = 25.4 mm. 1 mm = 0.3937 inch.
1 Black 2 White 3 Red 4 Green 5 Orange 6 Blue 7 White/Black 8 Red/Black (Bulkhead Leads Number Tagged)	9 Green/Black 10 Orange/Black 11 Blue/Black 12 Black/White	Single Contact Rating : 600 V @ 15 Amp Connector Rating 2-4 pins : 600 V @ 10 Amp Connector Rating 5-10 pins : 600 V @ 6 Amp Contact Rating 12 pins : 600 V @ 5 Amp Insulation Resistance : >200 megaohm Contact Resistance : <0.01 ohm Wet Matings : >500 Temp. Rating : -4° to +60° C - 25° to 140° F Depth Rating : 1.400 bar - 20.000 psi	Connector Body : Neoprene (CR) Bulkhead Body (3/4") : AISI 316 Bulkhead Body : Brass UNS-C36000 Contacts : Brass UNS-C36000 Nuts & Washers : Brass UNS-C36000 O' Rings : Nitrile Locking Sleeve : Delrin Snap Ring : AISI 302 Inline Cable (60 cm) : 18 AWG 1,0 mm ² Rubber BH Leads (30 cm) : 18 AWG 1,0 mm ² Teflon Options : See index pages
			Modification rights reserved Drawing No. SE 300-9



Inline Cable Colour Code

- | | |
|---------------|-----------------|
| 1 Black | 9 Green/Black |
| 2 White | 10 Orange/Black |
| 3 Red | 11 Blue/Black |
| 4 Green | 12 Black/White |
| 5 Orange | 13 Red/White |
| 6 Blue | 14 Green/White |
| 7 White/Black | 15 Blue/White |
| 8 Red/Black | 16 Black/Red |

(Bulkhead Leads Number Tagged)

Connector Specifications

- | | |
|-----------------------------|------------------------------------|
| Single Contact Rating | : 600 V @ 15 Amp |
| Connector Rating 2-4 pins | : 600 V @ 10 Amp |
| Connector Rating 5-10 pins | : 600 V @ 6 Amp |
| Connector Rating 12-16 pins | : 600 V @ 5 Amp |
| Insulation Resistance | : >200 megaohm |
| Contact Resistance | : <0,01 ohm |
| Wet Matings | : >500 |
| Temp. Rating | : -4° to +60° C -
25° to 140° F |
| Depth Rating | : 1.400 bar - 20.000 psi |

Material Specifications

- | | |
|----------------------|-------------------------------------|
| Connector Body | : Neoprene (CR) |
| Bulkhead Body | : AISI 316 |
| Contacts | : Brass UNS-C36000 |
| Nuts & Washers | : AISI 316 |
| 'O' Rings | : Nitrile |
| Locking Sleeve | : Delrin |
| Snap Ring | : AISI 302 |
| Inline Cable (60 cm) | : 18 AWG 1,0 mm ² Rubber |
| BH Leads (30 cm) | : 18 AWG 1,0 mm ² Teflon |
| Options | : See index pages |

Dimensions in mm.
Threads in inches.
1 inch = 25,4 mm.
1 mm = 0,3937 inch.

Modification rights reserved

Drawing No. SE 300-10