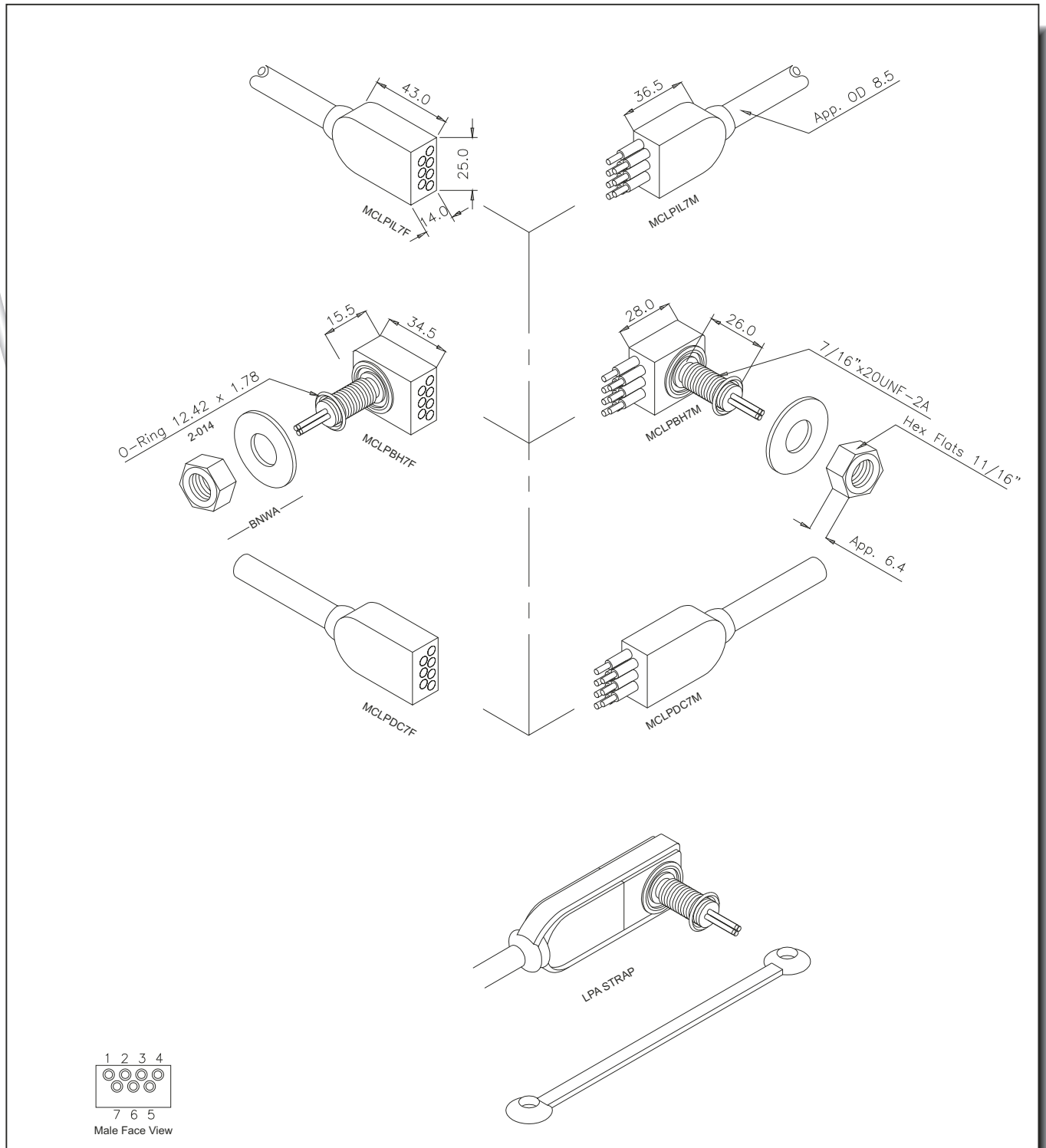
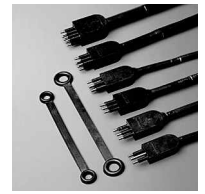
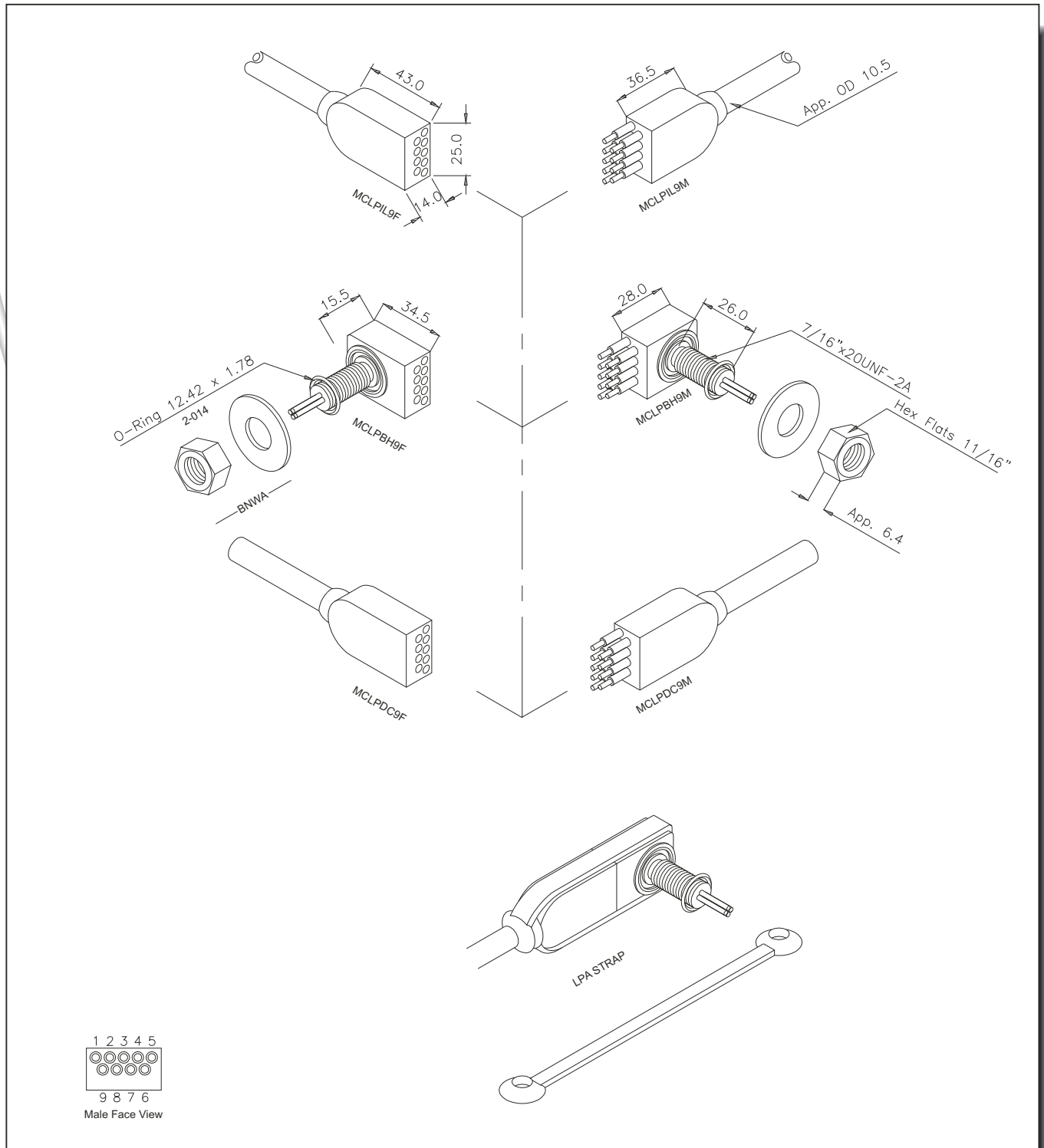
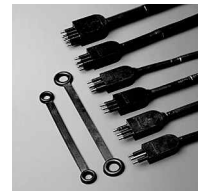


Inline Cable Colour Code	Connector Specifications	Material Specifications	Dimensions in mm. Threads in inches. 1 inch = 25.4 mm. 1 mm = 0,03937 inch. Modification rights reserved Drawing No. SE 300-67
1 Black 2 White 3 Red (Bulkhead Leads Number Tagged)	Single Contact Rating : 300 V @ 5 Amp Contact Rating 2 pins : 300 V @ 5 Amp Contact Rating 3 pins : 300 V @ 4 Amp Insulation Resistance : >200 megaohm Contact Resistance : <0,01 ohm Wet Matings : >500 Temp. Rating : -4° to +60° C : 25° to 140° F Depth Rating : 700 bar - 10.000 psi	Connector Body : Neoprene (CR) Bulkhead Body : Brass UNS-C36000 Contacts : Beryllium Copper UNS-C17300 Nuts & Washers : Brass UNS-C36000 Strap : Neoprene (CR) 'O' Rings : Nitrile Inline Cable (60 cm) : 20 AWG, 0,5 mm ² Rubber BH Leads (30 cm) : 20 AWG, 0,5 mm ² Teflon Options : See index pages	



Inline Cable Colour Code	Connector Specifications	Material Specifications	Dimensions in mm. Threads in inches. 1 inch = 25.4 mm. 1 mm = 0,03937 inch.
1 Black 2 White 3 Red 4 Green 5 Blue 6 Brown 7 Yellow (Bulkhead Leads Number Tagged)	Single Contact Rating : 300 V @ 5 Amp Contact Rating 2 pins : 300 V @ 5 Amp Contact Rating 3-4 pins : 300 V @ 4 Amp Contact Rating 5-7 pins : 300 V @ 3 Amp Insulation Resistance : >200 megaohm Contact Resistance : <0,01 ohm Wet Matings : >500 Temp. Rating : -4° to +60° C : 25° to 140° F Depth Rating : 700 bar - 10.000 psi	Connector Body : Neoprene (CR) Bulkhead Body : Brass UNS-C36000 Contacts : Gold Plated Beryllium Copper UNS-C17300 Nuts & Washers : Brass UNS-C36000 Strap : Neoprene (CR) 'O' Rings : Nitrile Inline Cable (60 cm) : 20 AWG, 0,5 mm ² Rubber BH Leads (30 cm) : 20 AWG 0,5 mm ² Teflon Options : See index pages	Modification rights reserved Drawing No. SE 300-72



Inline Cable Colour Code	Connector Specifications	Material Specifications	Dimensions in mm. Threads in inches.
1 Black 2 White 3 Red 4 Green 5 Orange 6 Blue 7 White/Black 8 Red/Black 9 Green/Black	Singel Contact Rating : 300 V @ 5 Amp Contact Rating 2 pins : 300 V @ 5 Amp Contact Rating 3-4 pins : 300 V @ 4 Amp Contact Rating 5-7 pins : 300 V @ 3 Amp Contact Rating 8-9 pins : 300 V @ 2 Amp Insulation Resistance : >200 megaohm Contact Resistance : <0,01 ohm Wet Matings : >500 Temp. Rating : -4° to +60° C : 25° to 140° F Depth Rating : 700 bar - 10.000 psi	Connector Body : Neoprene (CR) Bulkhead Body : Brass UNS-C36000 Contacts : Gold Plated Beryllium Copper UNS-C17300 Nuts & Washers : Brass UNS-C36000 Strap : Neoprene (CR) O' Rings : Nitrile Locking Sleeve : Delrin Snap Ring : AISI 302 Inline Cable (60 cm) : 20 AWG 0,5 mm ² Rubber BH Leads (30 cm) : 20 AWG 0,5 mm ² Teflon Options : See index pages	1 inch = 25.4 mm. 1 mm = 0,03937 inch. Modification rights reserved
(Bulkhead Leads Number Tagged)			Drawing No. SE 300-73