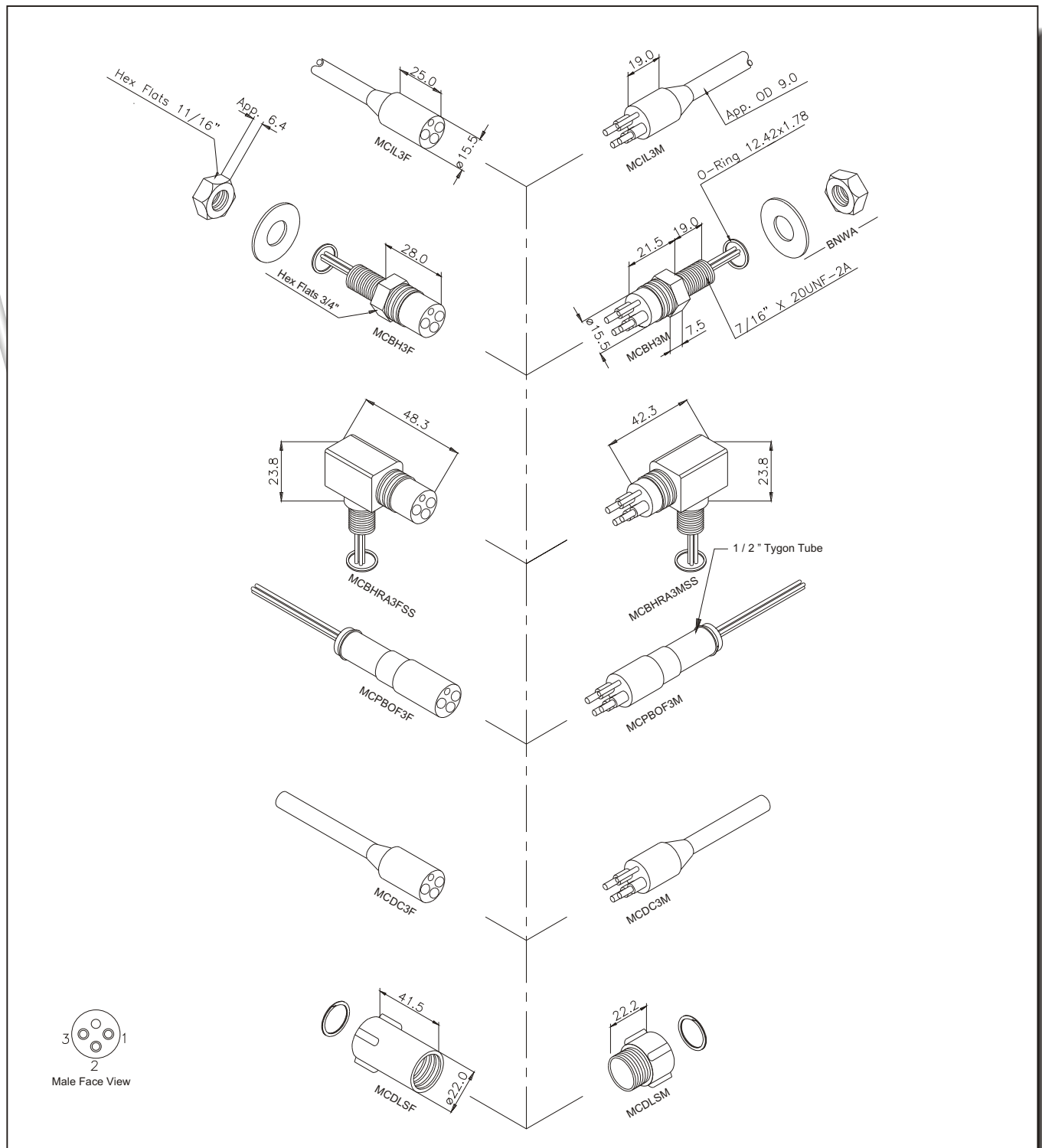
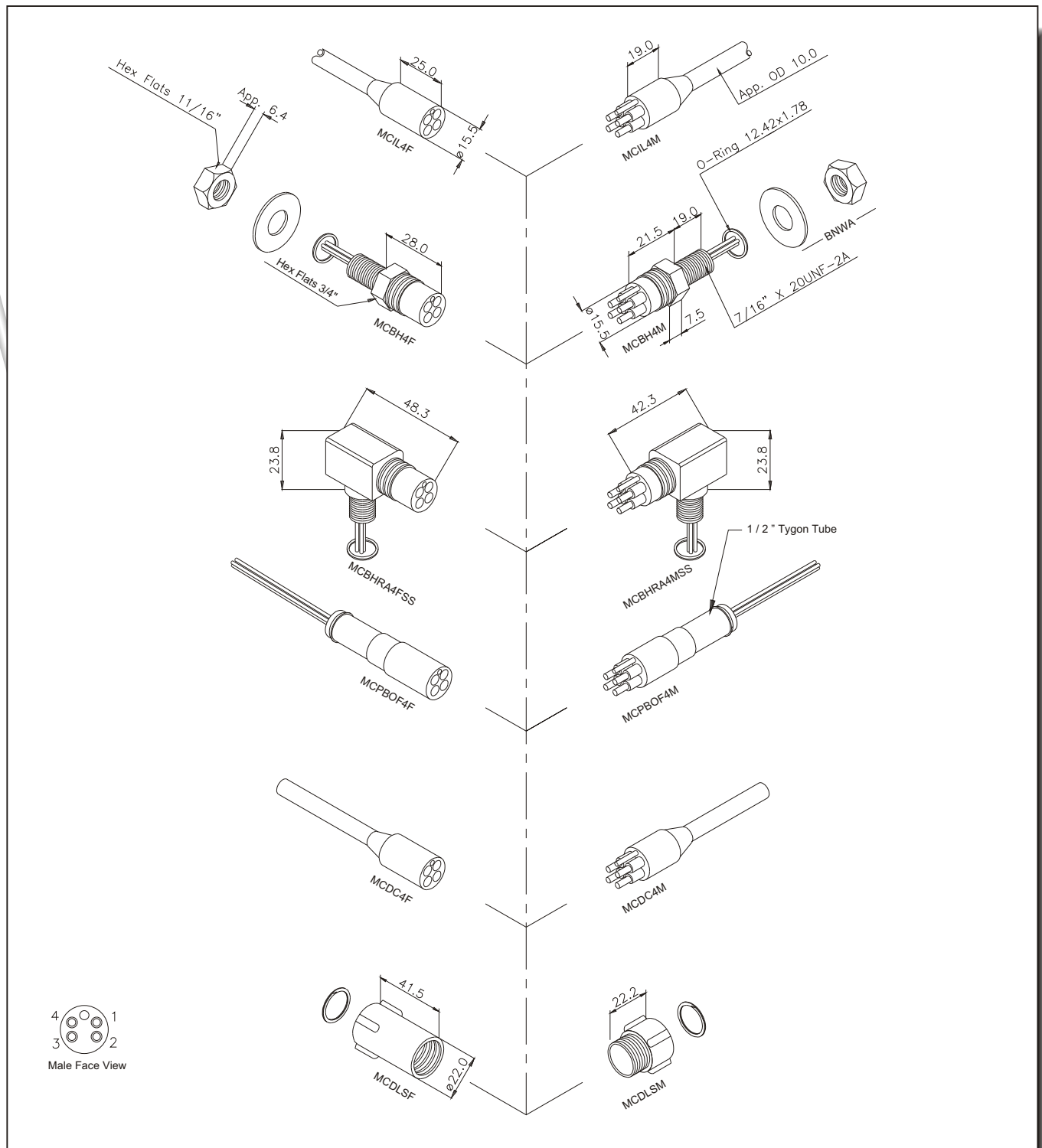


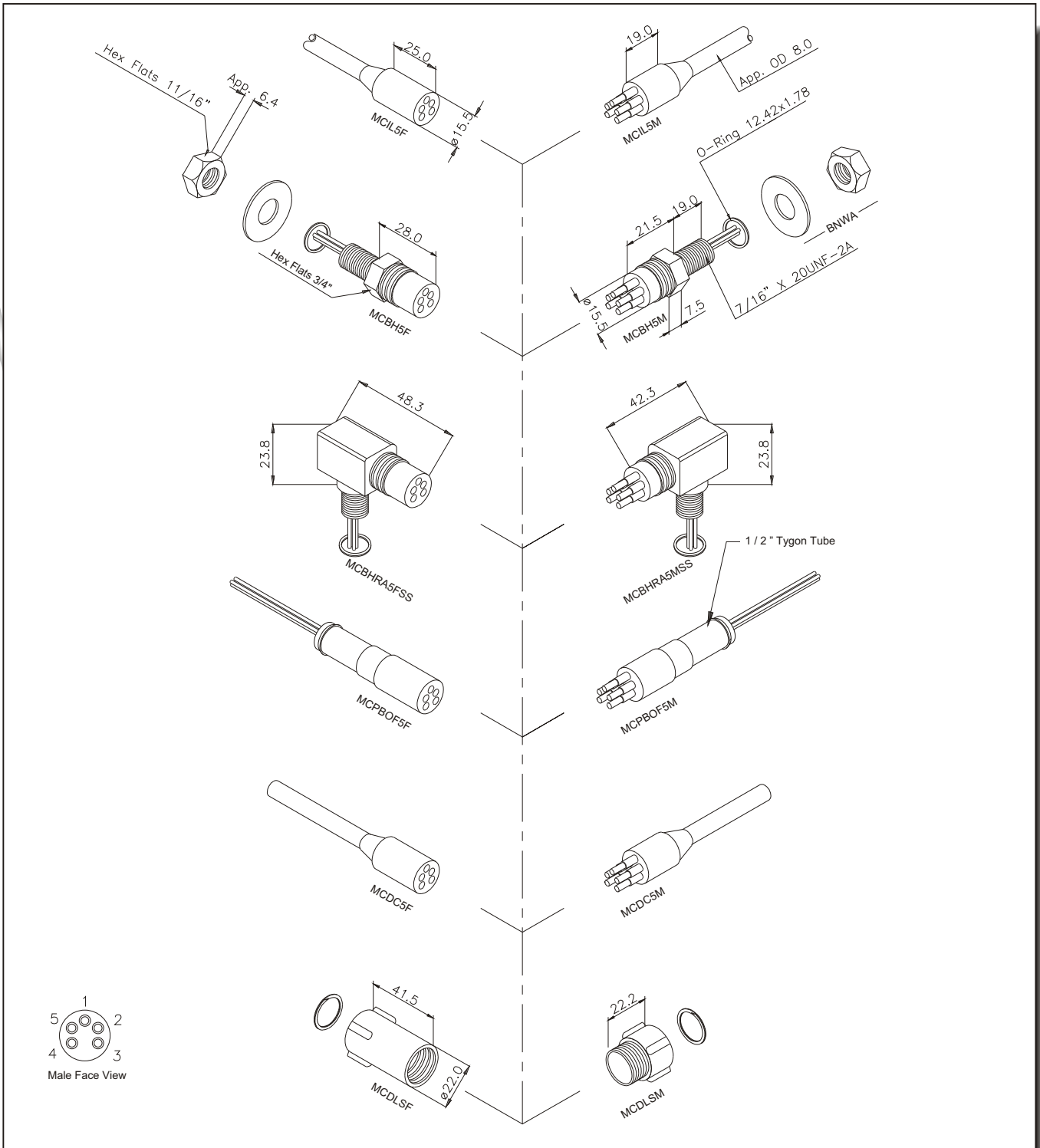
Inline Cable Colour Code	Connector Specifications	Material Specifications	Dimensions in mm. Threads in inches. 1 inch = 25.4 mm. 1 mm = 0,3937 inch. Modification rights reserved
1 Black 2 White (Bulkhead Leads Number Tagged)	Single Contact Rating : 300 V @ 10 Amp Connector Rating 2 pins : 300 V @ 10 Amp Insulation Resistance : >200 megaohm Contact Resistance : <0,01 ohm Wet Matings : >500 Temp. Rating : -4° to +60° C - 25° to 140° F Depth Rating : 700 bar - 10.000 psi	Connector Body : Neoprene (CR) Bulkhead Body : Brass UNS-C36000 Contacts : Brass UNS-C36000 Nuts & Washers : Brass UNS-C36000 Location pin : AISI 303 'O' Rings : Nitrile Locking Sleeve : Delrin Snap Ring : AISI 302 Inline Cable (60 cm) : 18 AWG 1,0 mm ² Rubber BH Leads (30 cm) : 20 AWG 0,5 mm ² Teflon Options : See index pages	Drawing No. SE 300-51



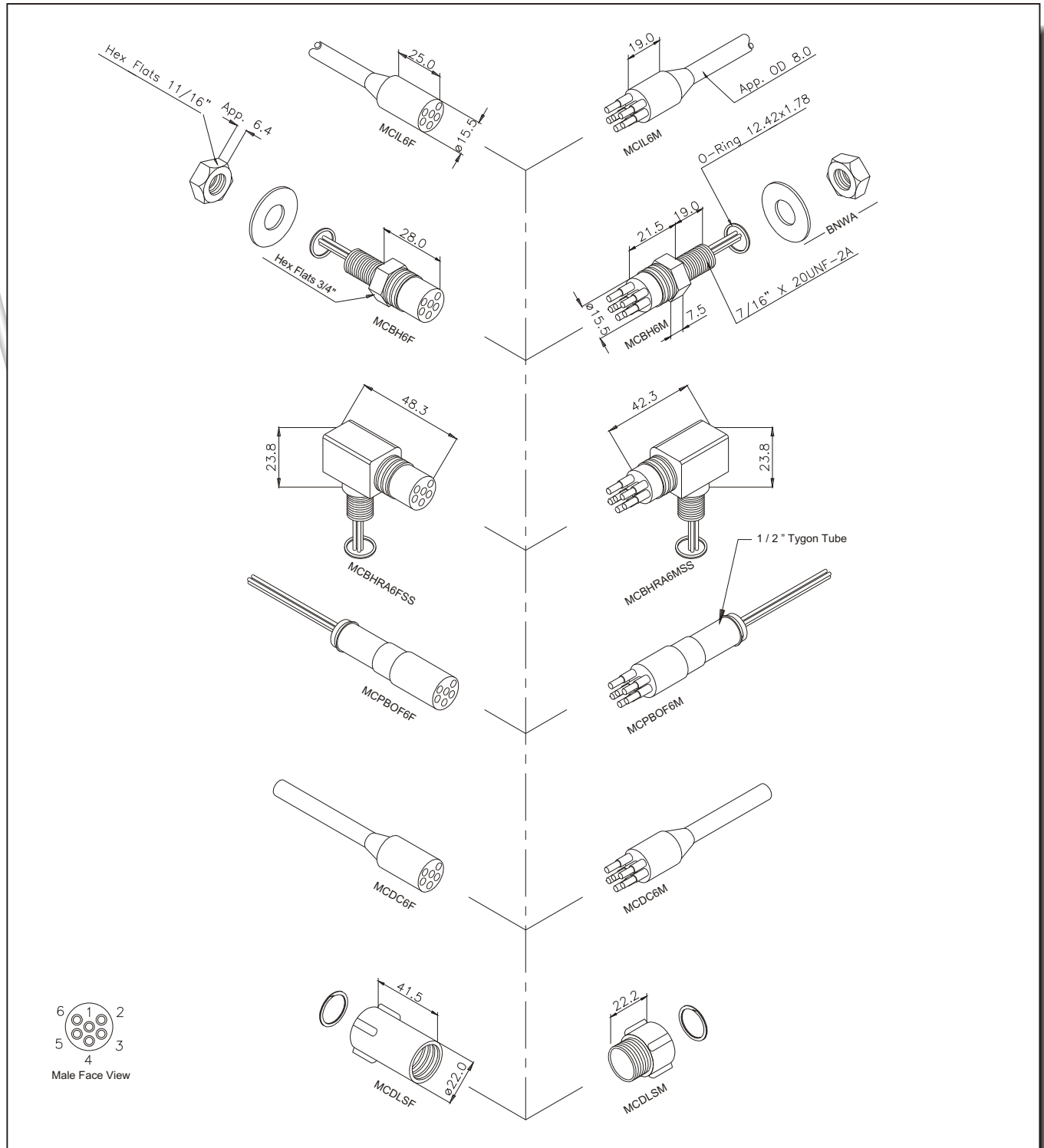
Inline Cable Colour Code	Connector Specifications	Material Specifications	Dimensions in mm. Threads in inches. 1 inch = 25.4 mm. 1 mm = 0,3937 inch. Modification rights reserved
1 Black 2 White 3 Green (Bulkhead Leads Number Tagged)	Single Contact Rating : 300 V @ 10 Amp Connector Rating 2 pins : 300 V @ 10 Amp Connector Rating 3 pins : 300 V @ 6 Amp Insulation Resistance : >200 megaohm Contact Resistance : <0,01 ohm Wet Matings : >500 Temp. Rating : -4° to +60° C - 25° to 140° F Depth Rating : 700 bar - 10.000 psi	Connector Body : Neoprene (CR) Bulkhead Body : Brass UNS-C36000 Contacts : Brass UNS-C36000 Nuts & Washers : Brass UNS-C36000 Location pin : AISI 303 'O' Rings : Nitrile Locking Sleeve : Delrin Snap Ring : AISI 302 Inline Cable (60 cm) : 18 AWG 1,0 mm ² Rubber BH Leads (30 cm) : 20 AWG 0,5 mm ² Teflon Options : See index pages	Drawing No. SE 300-52



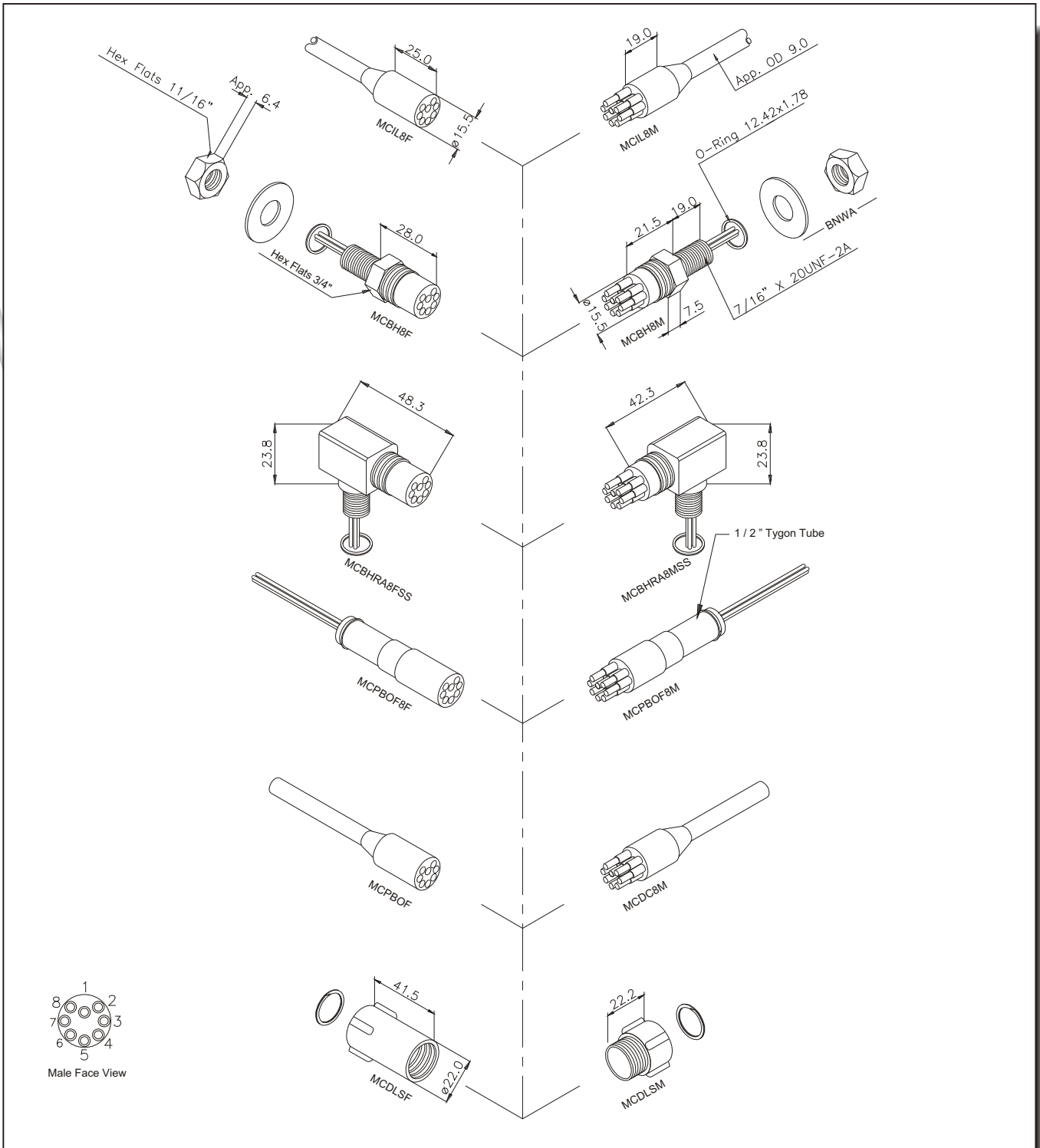
<p>Inline Cable Colour Code</p> <p>1 Black 2 White 3 Red 4 Green</p> <p>(Bulkhead Leads Number Tagged)</p>	<p>Connector Specifications</p> <p>Single Contact Rating : 300 V @ 10 Amp Connector Rating 2 pins : 300 V @ 10 Amp Connector Rating 3-4 pins : 300 V @ 6 Amp Insulation Resistance : >200 megaohm Contact Resistance : <0,01 ohm Wet Matings : >500 Temp. Rating : -4° to +60° C - 25° to 140° F Depth Rating : 700 bar - 10.000 psi</p>	<p>Material Specifications</p> <p>Connector Body : Neoprene (CR) Bulkhead Body : Brass UNS-C36000 Contacts : Brass UNS-C36000 Nuts & Washers : Brass UNS-C36000 Location pin : AISI 303 'O' Rings : Nitrile Locking Sleeve : Delrin Snap Ring : AISI 302 Inline Cable (60 cm) : 18 AWG 1,0 mm² Rubber BH Leads (30 cm) : 20 AWG 0,5 mm² Teflon Options : See index pages</p>	<p>Dimensions in mm. Threads in inches. 1 inch = 25,4 mm. 1 mm = 0,3937 inch.</p> <p>Modification rights reserved</p> <p>Drawing No. SE 300-53</p>
---	---	---	---



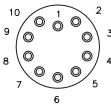
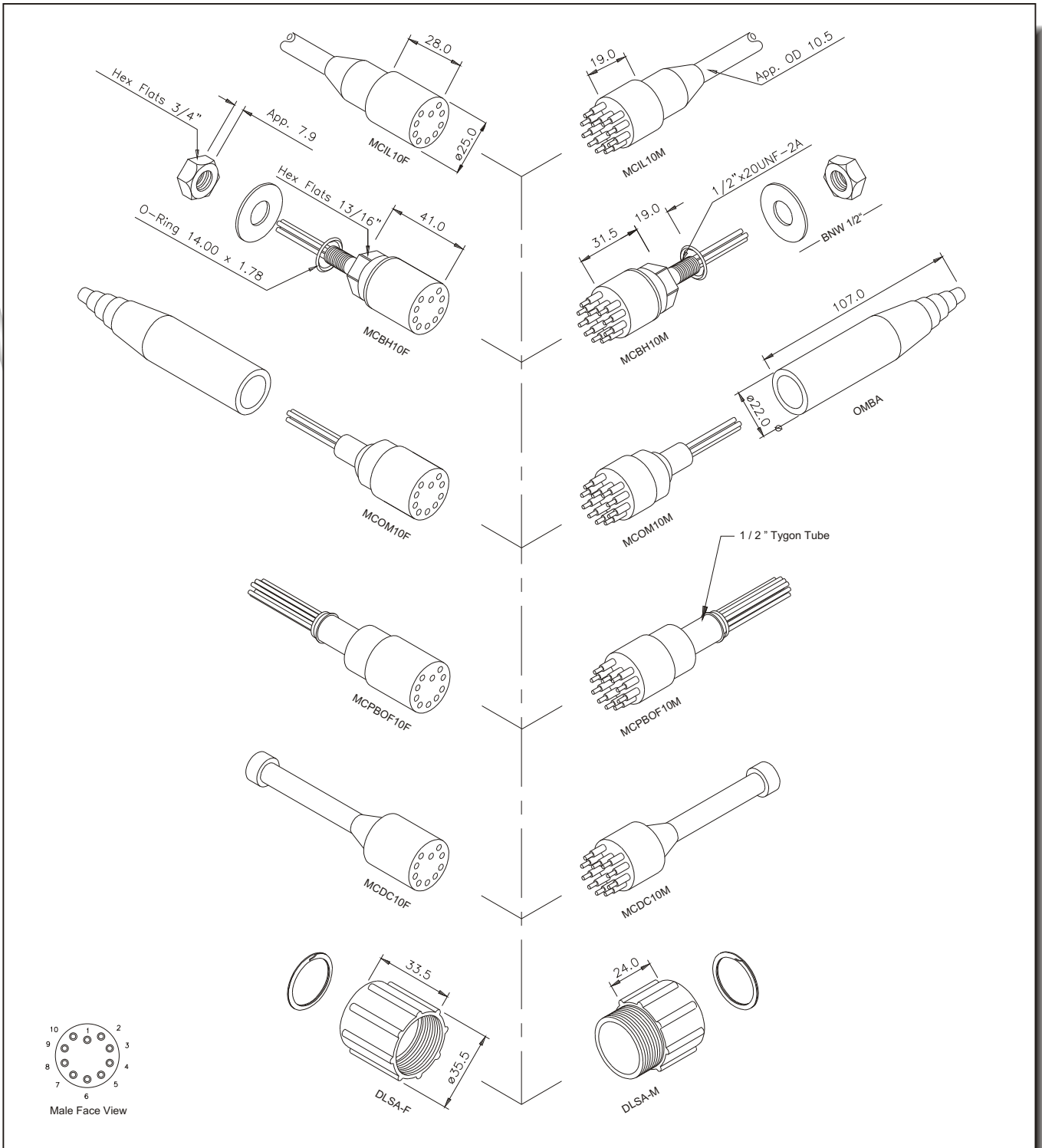
Inline Cable Colour Code	Connector Specifications	Material Specifications	Dimensions in mm. Threads in inches. 1 inch = 25.4 mm. 1 mm = 0,3937 inch.
1 Black 2 White 3 Red 4 Green 5 Orange	Single Contact Rating : 300 V @ 5 Amp Connector Rating 2 pins : 300 V @ 5 Amp Connector Rating 3-4 pins : 300 V @ 4 Amp Connector Rating 5 pins : 300 V @ 3 Amp Insulation Resistance : >200 megaohm Contact Resistance : <0,01 ohm Wet Matings : >500 Temp. Rating : -4° to +60° C - 25° to 140° F Depth Rating : 700 bar - 10.000 psi	Connector Body : Neoprene (CR) Bulkhead Body : Brass UNS-C36000 Contacts : Beryllium Copper UNS-C17300 Nuts & Washers : Brass UNS-C36000 'O' Rings : Nitrile Locking Sleeve : Delrin Snap Ring : AISI 302 Inline Cable (60 cm) : 20 AWG 0,5 mm ² Rubber BH Leads (30 cm) : 22 AWG 0,32 mm ² Teflon Options : See index pages	Modification rights reserved
(Bulkhead Leads Number Tagged)			Drawing No. SE 300-54



Inline Cable Colour Code	Connector Specifications	Material Specifications	Dimensions in mm. Threads in inches. 1 inch = 25.4 mm. 1 mm = 0,3937 inch. Modification rights reserved
1 Black 2 White 3 Red 4 Green 5 Blue 6 Brown (Bulkhead Leads Number Tagged)	Single Contact Rating : 300 V @ 5 Amp Connector Rating 2 pins : 300 V @ 5 Amp Connector Rating 3-4 pins : 300 V @ 4 Amp Connector Rating 5-6 pins : 300 V @ 3 Amp Insulation Resistance : >200 megaohm Contact Resistance : <0,01 ohm Contact Resistance : >500 Wet Matings : -4° to +60° C - 25° to 140° F Temp. Rating : >700 bar - 10.000 psi Depth Rating :	Connector Body : Neoprene (CR) Bulkhead Body : Brass UNS-C36000 Contacts : Beryllium Copper UNS-C17300 Nuts & Washers : Brass UNS-C36000 'O' Rings : Nitrile Locking Sleeve : Delrin Snap Ring : AISI 302 Inline Cable (60 cm) : 20 AWG 0,5 mm ² Rubber BH Leads (30 cm) : 22 AWG 0,32 mm ² Teflon Options : See index pages	Drawing No. SE 300-74



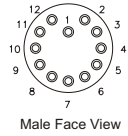
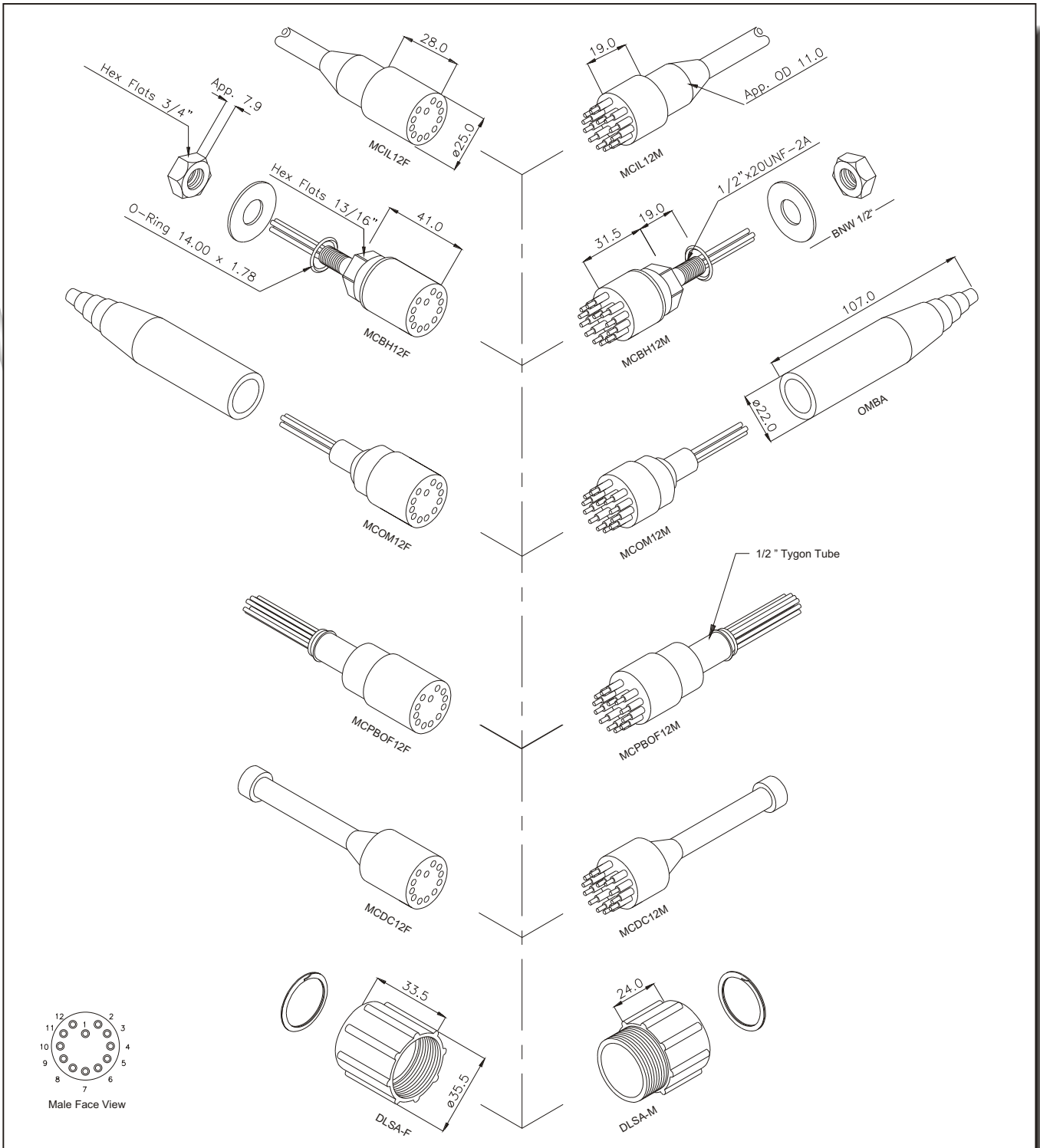
Inline Cable Colour Code	Connector Specifications	Material Specifications	Dimensions in mm. Threads in inches. 1 inch = 25.4 mm. 1 mm = 0,3937 inch.
1 Black 2 White 3 Red 4 Green 5 Orange 6 Blue 7 White/Black 8 Red/Black (Bulkhead Leads Number Tagged)	Single Contact Rating : 300 V @ 5 Amp Connector Rating 2 pins : 300 V @ 5 Amp Connector Rating 3-4 pins : 300 V @ 4 Amp Connector Rating 5-8 pins : 300 V @ 3 Amp Insulation Resistance : >200 megaohm Contact Resistance : <0,01 ohm Contact Resistance : >500 Wet Matings : -4° to +60° C - 25° to 140° F Temp. Rating : >700 bar - 10.000 psi Depth Rating :	Connector Body : Neoprene (CR) Bulkhead Body : Brass UNS-C36000 Contacts : Beryllium Copper UNS-C17300 Nuts & Washers : Brass UNS-C36000 'O' Rings : Nitrile Locking Sleeve : Delrin Snap Ring : AISI 302 Inline Cable (60 cm) : 20 AWG 0,5 mm ² Rubber BH Leads (30 cm) : 22 AWG 0,32 mm ² Teflon Options : See index pages	Modification rights reserved Drawing No. SE 300-62



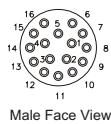
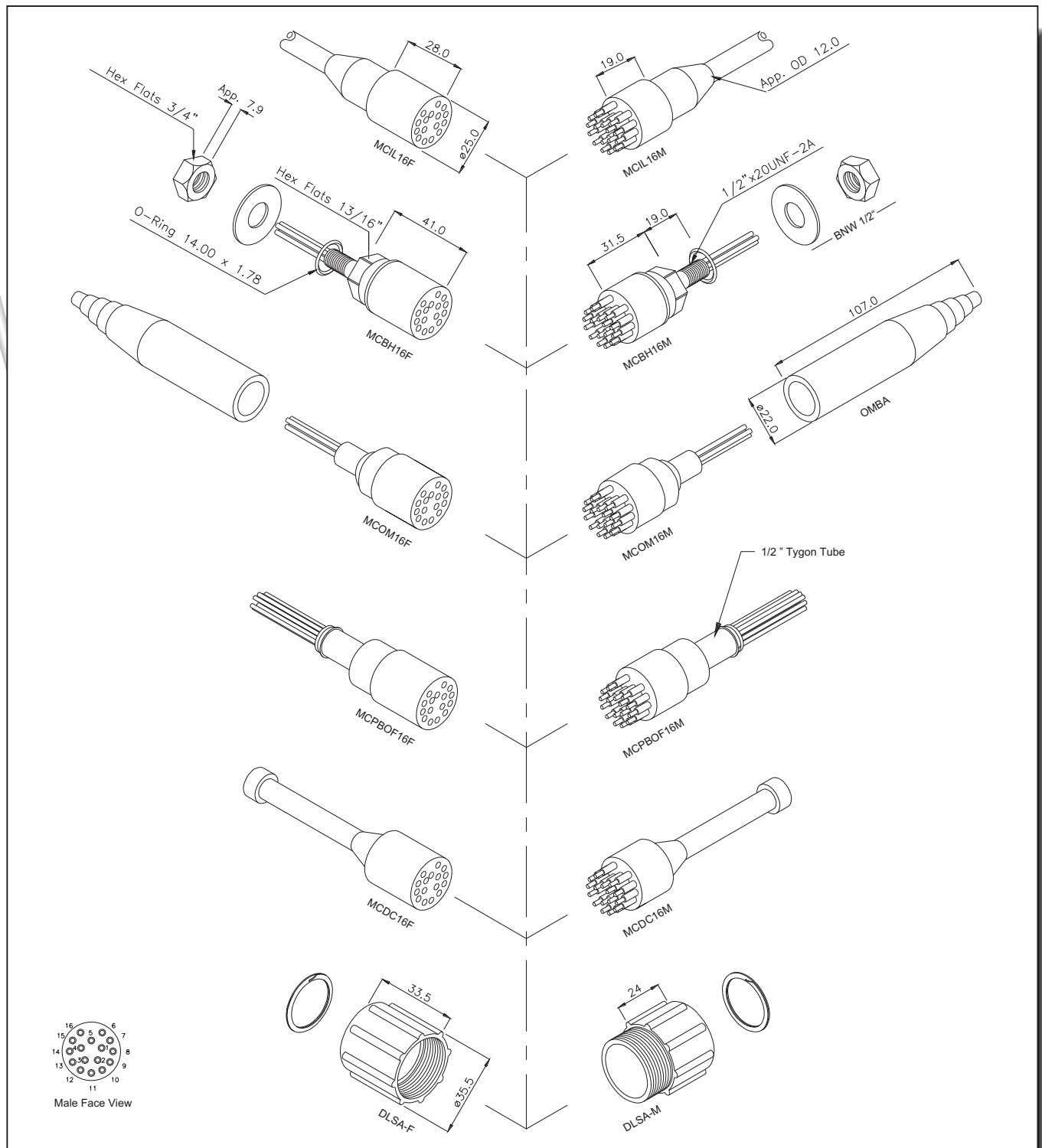
Male Face View

Inline Cable Colour Code	Connector Specifications	Material Specifications	Dimensions in mm. Threads in inches. 1 inch = 25.4 mm. 1 mm = 0,3937 inch.
1 Black 2 White 3 Red 4 Green 5 Orange 6 Blue 7 White/Black 8 Red/Black 9 Green/Black 10 Orange/Black	Single Contact Rating : 300 V @ 5 Amp Connector Rating 2-10 pins : 300 V @ 5 Amp Insulation Resistance : >200 megaohm Contact Resistance : <0,01 ohm Wet Matings : >500 Temp. Rating : -4° to +60° C - 25° to 140° F Depth Rating : 700 bar - 10.000 psi	Connector Body : Neoprene (CR) Bulkhead Body : Brass UNS-C36000 Contacts : Beryllium Copper UNS-C17300 Nuts & Washers : Brass UNS-C36000 'O' Rings : Nitrile Locking Sleeve : Delrin Snap Ring : AISI 302 Inline Cable (60 cm) : 20 AWG 0,5 mm ² Rubber BH Leads (30 cm) : 20 AWG 0,5 mm ² Teflon Options : See index pages	Modification rights reserved Drawing No. SE 300-69

(Bulkhead Leads Number Tagged)



Inline Cable Colour Code	Connector Specifications	Material Specifications	Dimensions in mm. Threads in inches. 1 inch = 25.4 mm. 1 mm = 0.3937 inch.
1 Black 2 White 3 Red 4 Green 5 Orange 6 Blue 7 White/Black 8 Red/Black 9 Green/Black 10 Orange/Black 11 Blue/black 12 Black/White	Single Contact Rating : 300 V @ 5 Amp Connector Rating 2-12 pins : 300 V @ 5 Amp Insulation Resistance : >200 megaohm Contact Resistance : <0,01 ohm Wet Matings : >500 Temp. Rating : -4° to +60° C - 25° to 140° F Depth Rating : 700 bar - 10.000 psi	Connector Body : Neoprene (CR) Bulkhead Body : Brass UNS-C36000 Contacts : Beryllium Copper UNS-C17300 Nuts & Washers : Brass UNS-C36000 Locking Sleeve : Delrin Snap Ring : AISI 302 Inline Cable (60 cm) : 20 AWG 0,5 mm ² Rubber BH Leads (30 cm) : 20 AWG 0,5 mm ² Teflon Options : See index pages	Drawing No. SE 300-70
(Bulkhead Leads Number Tagged)			



Inline Cable Colour Code	Connector Specifications	Material Specifications	Dimensions in mm. Threads in inches.
1 Black 2 White 3 Red 4 Green 5 Orange 6 Blue 7 White/Black 8 Red/Black 9 Green/Black 10 Orange/Black 11 Blue/black 12 Black/White 13 Red/White 14 Green/White 15 Blue/White 16 Black/Red	Single Contact Rating : 300 V @ 5 Amp Connector Rating 2-16 pins : 300 V @ 5 Amp Insulation Resistance : >200 megaohm Contact Resistance : >0,01 ohm Wet Matings : >500 Temp. Rating : -4° to +60° C - 25° to 140° F Depth Rating : 700 bar - 10.000 psi	Connector Body : Neoprene (CR) Bulkhead Body : Brass UNS-C36000 Contacts : Beryllium Copper UNS-C17300 Nuts & Washers : Brass UNS-C36000 'O' Rings : Nitrile Locking Sleeve : Delrin Snap Ring : AISI 302 Inline Cable (60 cm) : 20 AWG 0,5 mm ² Rubber BH Leads (30 cm) : 20 AWG 0,5 mm ² Teflon Options : See index pages	1 inch = 25.4 mm. 1 mm = 0,3937 inch. Modification rights reserved
(Bulkhead Leads Number Tagged)			Drawing No. SE 300-71